

COMPARISON OF NEURAL NETWORK NARMA-L2 MODEL REFERENCE AND PREDICTIVE CONTROLLERS FOR NONLINEAR QUARTER CAR ACTIVE SUSPENSION SYSTEM

Mustefa Jibril^{*1}, Eliyas Alemayehu Tadese^{*2}

^{*1}Msc, Dept. of Electrical & Computer Engineering, Dire Dawa Institute of Technology, Dire Dawa, Ethiopia

^{*2}Msc, Faculty of Electrical & Computer Engineering, Jimma Institute of Technology, Jimma, Ethiopia

ABSTRACT

Recently, active suspension system will become important to the vehicle industries because of its advantages in improving road managing and ride comfort. This paper offers the development of mathematical modelling and design of a neural network control approach. The paper will begin with a mathematical model designing primarily based at the parameters of the active suspension system. A nonlinear three by four-way valve-piston hydraulic actuator became advanced which will make the suspension system under the active condition. Then, the model can be analyzed thru MATLAB/Simulink software program. Finally, the NARMA-L2, model reference and predictive controllers are designed for the active suspension system. The results are acquired after designing the simulation of the quarter-car nonlinear active suspension system. From the simulation end result using MATLAB/Simulink, the response of the system might be as compared between the nonlinear active suspension system with NARMA-L2, model reference and predictive controllers. Besides that, the evaluation has been made between the proposed controllers thru the characteristics of the manage objectives suspension deflection, body acceleration and body travel of the active suspension system. . As a conclusion, designing a nonlinear active suspension system with a nonlinear hydraulic actuator for quarter car model has improved the car performance by using a NARMA-L2 controller. The improvements in performance will improve road handling and ride comfort performance of the active suspension system.

Keywords- Active suspension system, NARMA-L2 controller, model reference controller, predictive controller

I. INTRODUCTION

The suspension system of a vehicle has two main operations. The primary one is to isolate the vehicle body from external road input profiles which occurs due to road disturbances. The secondary is to provide a balanced contact between the road and the tires. In a classical suspension system which it's parameter only contains passive elements, the feats of rendering both ride comfort and road handling makes the system with low performance. To sustain the vehicle mass and to perfectly track the road, a stiffened suspension system is needed, but, to isolate the road disturbance a soft suspension is needed.

In general, all suspension system must provide the best ride comfort and road handling within a reasonable range of suspension deflection. Moreover, these criteria always depends on the parameters of the automobile. Race vehicles usually have high stiffness value, strong suspension with low performance ride quality while passengers vehicle have loosely suspensions with low performance road handling ability. From a system design idea, there are two main area of distraction on a vehicle, namely road and load disturbances. Road disturbances have the qualities of large magnitude in low frequency and small magnitude in high frequency. Load disturbances include the deviation of loads induced by accelerating, decelerating and cornering. Therefore, for the best suspension system design, care must be given to reduce the road disturbance to the outputs.

II. MATHEMATICAL MODELS

2.1 Mathematical modelling of nonlinear active suspension system

The quarter car model of nonlinear active suspension system is shown in Figure 1. The nonlinear active suspension system has the extra advantages which a terrible damping can be produced and producing the huge variety of force into the system at low velocities. Besides, this condition potentially will increase the overall performance of the suspension system. The derivations of mathematical equation of nonlinear active suspension system of quarter vehicle system are given through Eqs. (1) and (2).

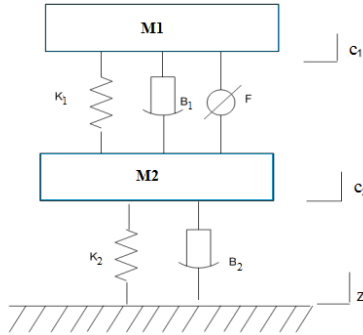


Figure 1: Quarter model of nonlinear active suspension system.

$$M_1 \ddot{c}_1 = k_1^l (c_2 - c_1) + k_1^{nl} (c_2 - c_1)^3 + B_1^l (\dot{c}_2 - \dot{c}_1) - B_1^{sym} |\dot{c}_2 - \dot{c}_1| + B_1^{nl} \sqrt{|\dot{c}_2 - \dot{c}_1|} \text{sgn}(\dot{c}_2 - \dot{c}_1) - F \quad (1)$$

$$M_2 \ddot{c}_2 = -k_1^l (c_2 - c_1) - k_1^{nl} (c_2 - c_1)^3 + B_1^l (\dot{c}_2 - \dot{c}_1) - B_1^{sym} |\dot{c}_2 - \dot{c}_1| - B_1^{nl} \sqrt{|\dot{c}_2 - \dot{c}_1|} \text{sgn}(\dot{c}_2 - \dot{c}_1) + k_2 (c_2 - z) + B_2 (c_2 - \dot{z}) + F \quad (2)$$

2.2 Hydraulic Actuator Design

The three by four-way valve-piston system is shown in Figure 2 is used for the hydraulic controller design. The pressure H_h from the actuator is given by Eqn. (3)

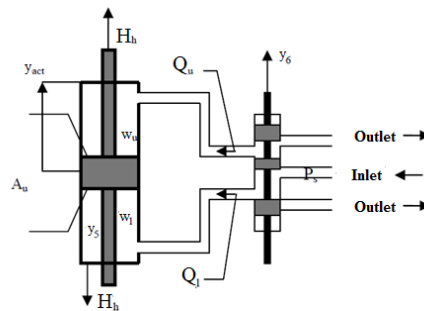


Figure 2: Hydraulic actuator

$$H_h = AP_L \quad (3)$$

Where A ($=A_u$, Area of upper chamber; $=A_l$, Area of lower chamber) is the piston place and P_L is the strain drop throughout the piston. The derivative of P_L is given by Eqn. (4)

$$\frac{V_t}{4\beta} P_L = Q - R_{tp} P_L - A(y_5 - y_6) \quad (4)$$

Where V_t is the overall actuator volume, β is the powerful bulk modulus of the fluid, Q is the hydraulic load drift ($Q = Q_u + Q_l$), in which Q_u and Q_l are the flows within the upper and decrease chamber respectively and R_{tp} is the whole leakage coefficient of the piston. In addition, the valve load drift equation is given by Eqn. (5):

$$Q = R_d \omega x_6 \sqrt{\frac{1}{\rho} [P_s - \text{sgn}(y_6) y_5]} \quad (5)$$

Where R_d is the release coefficient, is the spool valve vicinity gradient, y_5 is the pressure inside the chamber of hydraulic piston and $y_6 = y_{sp}$ is the valve displacement from its closed position, ρ is the hydraulic fluid density and P_s is the supply pressure, since, the term $[P_s - \text{sgn}(y_6) y_5]$ may become negative, Equation (6) is replaced with the corrected flow equation as,

$$Q = \text{sgn} [P_s - \text{sgn}(y_6) y_5] R_d \omega x_6 \sqrt{\frac{1}{\rho} [P_s - \text{sgn}(y_6) y_5]} \quad (6)$$

III. ROAD PROFILES

3.1 Bump Road Profile

The bump road profile input has a maximum peak of 10 cm as shown in Figure 3.

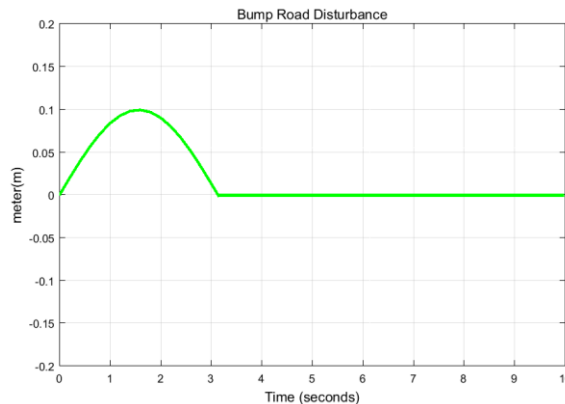


Figure 3: Random road profile

3.2 Sine Pavement Road Profile

The sine pavement road profile input has a maximum & minimum peak of 10 cm as shown in Figure 4.

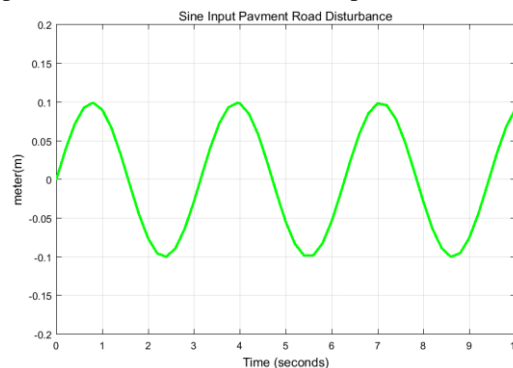


Figure 4: Sine pavement road profile

IV. THE PROPOSED CONTROLLER DESIGN

The design of NARMA-L2, model reference and predictive controllers are discussed as follow.

4.1 NARMA-L2 Controller Design

NARMA-L2 controller is used to become aware of the system to be controlled. Here in this system, we must train a neural network to represent the forward dynamics of the system. The NARMA-L2 Controller model is represented via a discrete time characteristic equation as shown in Eqn. 7.

Network Architecture			
Size of hidden layer	9	Delayed plant input	3
Samp. interval(sec)	0.01	Delayed plant output	2
Training Data			
Training sample	100	Maximum Plant output	2
Maximum Plant input	4	Minimum Plant output	0
Minimum Plant input	-1	Max interval value (sec)	1
Min interval value (sec)			0.1
Training Parameters			
Training Epochs			100

$$u(k+1) = \frac{y_r(k+d) - f[y(k), \dots, y(k-n+1), u(k), \dots, u(k-n+1)]}{g[y(k), \dots, y(k-n+1), u(k), \dots, u(k-n+1)]} \quad (7)$$

Which is realizable for $d \geq 2$. The following Figure is a block diagram of the NARMA-L2 controller.

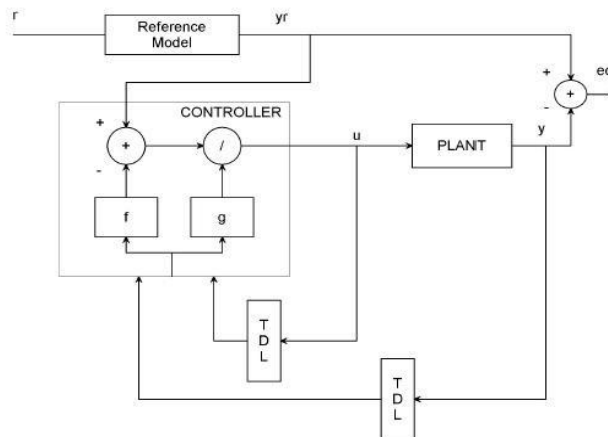


Figure 5. Block diagram of the NARMA-L2 controller

The neural network architecture, training data and training parameters for NARMA-L2, model reference and predictive controllers are shown in the Table 1 below

4.2 Model-Reference Controller Design

The designing of neural model reference control uses two neural networks:

1. A Neural network controller and
2. A Neural network controller for the plant model

As shown in Figure 6 below.

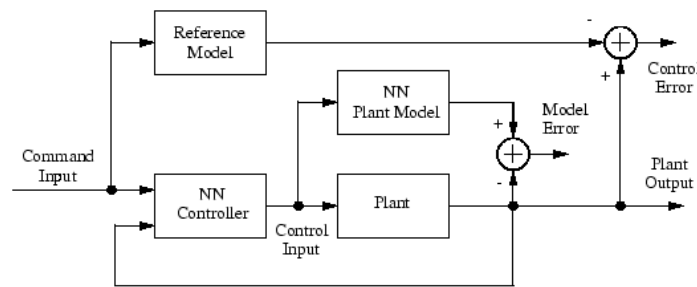


Figure 6. Block diagram of the model reference controller

There are three sets of controller inputs:

- Delayed reference inputs
- Delayed controller outputs
- Delayed plant outputs

4.3 Predictive Controller Design

The design of model predictive controller is used to train a neural network to symbolize the forward dynamics of the plant. The prediction error between the plant output and the neural network output is used as the neural network training signal. The system is represented by the Figure 7:

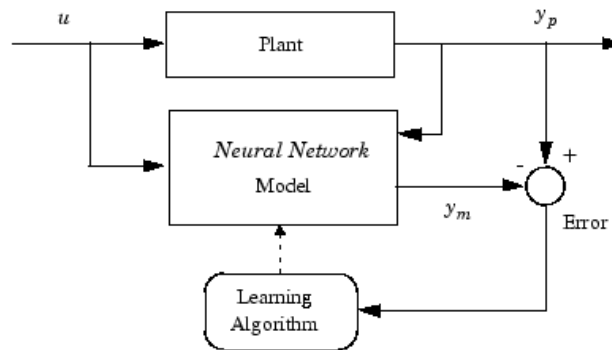


Figure 6. Block diagram of the predictive controller

V. RESULT AND DISCOUSSION

The nonlinear quarter car active suspension system parameter values are shown in Table 2.

Table 2: Parameters of nonlinear quarter vehicle model

Model parameters	symbol	symbol Values
Vehicle body mass	M 1	550 Kg
Wheel assembly mass	M 2	63 Kg
Tire stiffness	k 2	165,000 N/m
Suspension stiffness (linear)	k 1	36,000 N/m
Suspension stiffness (nonlinear)	k_1^{nl}	3,600,000 N/m
Suspension damping (linear)	B1	1,200 N-s/m
Suspension damping (nonlinear)	B_1^{nl}	800 N-s/m
Suspension damping (asymmetrical)	B_1^{sym}	800 N-s/m
Tire damping	B2	1,800 N-s/m

5.1 Control Targets Output Specifications

The control targets output specifications of the nonlinear quarter car active suspension system is shown in Table 3 below.

Table 3. Control targets output specifications

No	Control Targets	Output
1	Body travel	Minimum
2	Body acceleration	Minimum
3	Suspension deflection	Same as Road Profile

5.2 Simulation of a Bump Road Disturbance

The Simulink model for a bump input road disturbance including the nonlinear active suspension system with NARMA-L2, model reference and predictive controllers is shown in Figure 7 below.

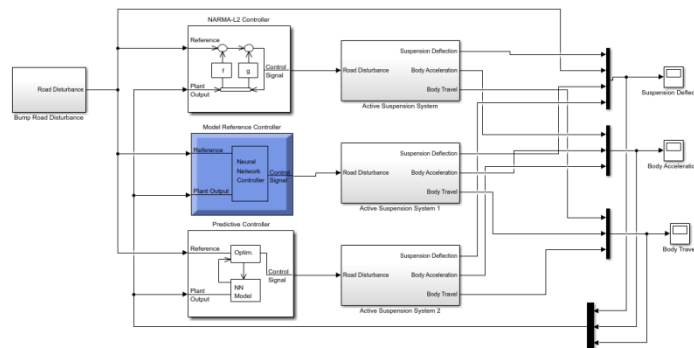


Figure 7: Simulink model for bump road disturbance

The body travel, body acceleration and suspension deflection simulation output is shown in Figure 8, Figure 9 and Figure 10 respectively.

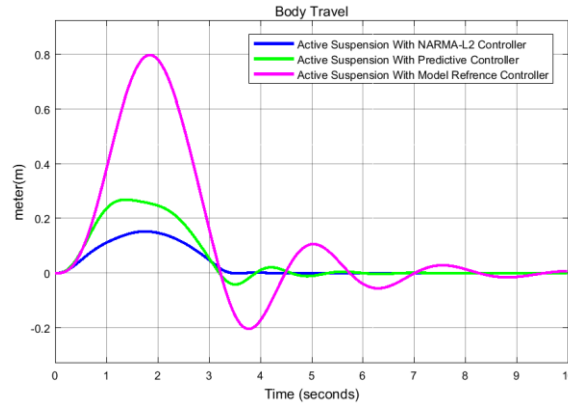


Figure 8: Body travel for bump road disturbance

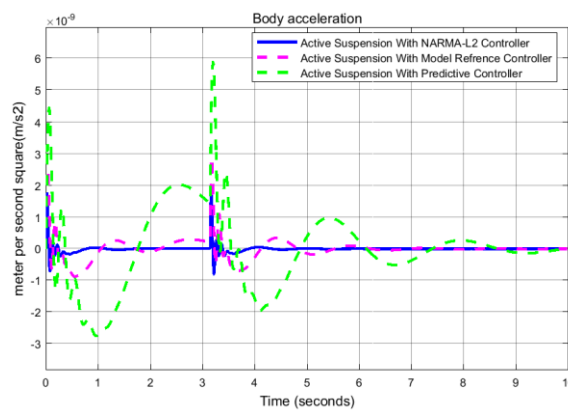


Figure 9: Body acceleration for bump road disturbance

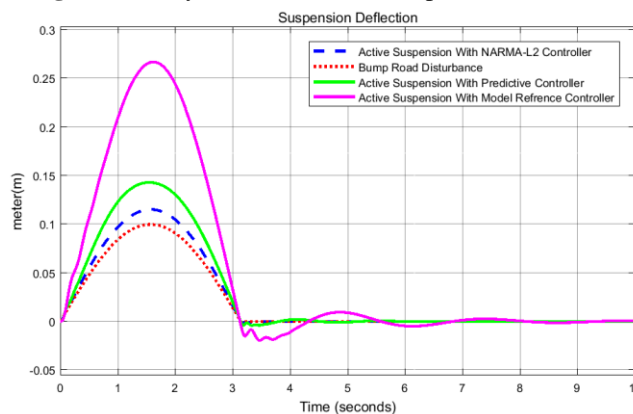


Figure 10: Suspension deflection for bump road disturbance

5.3 Simulation of a Sine Pavement Road Disturbance

The Simulink model for a sine pavement input road disturbance including the nonlinear active suspension system with NARMA-L2, model reference and predictive controllers is shown in Figure 11 below.

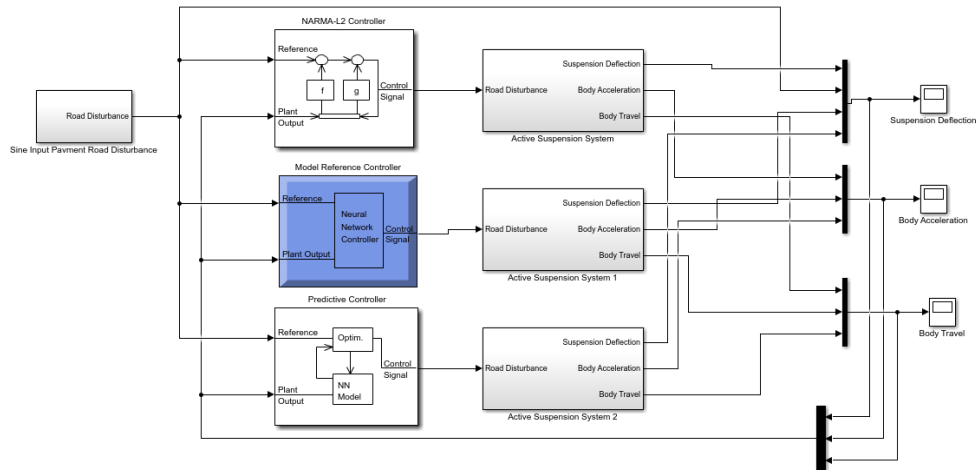


Figure 11: Simulink model for sine pavement road disturbance

The body travel, body acceleration and suspension deflection simulation output is shown in Figure 12, Figure 13 and Figure 14 respectively.

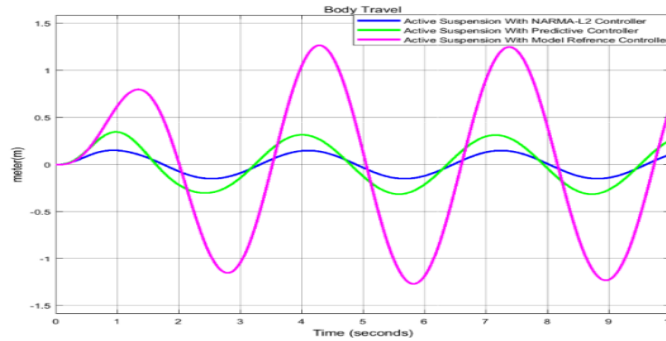


Figure 12: Body travel for sine pavement road disturbance

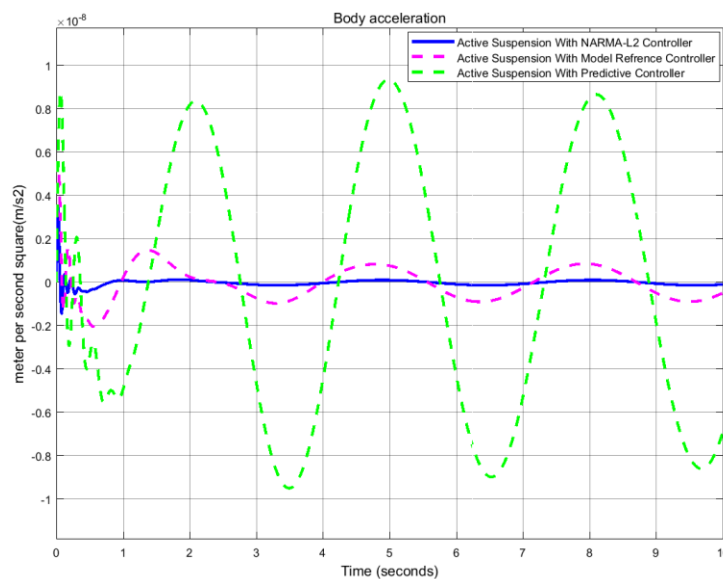


Figure 13: Body acceleration for sine pavement road disturbance

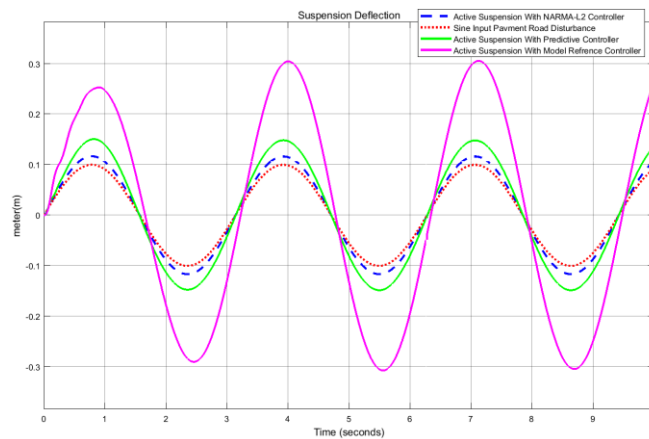


Figure 14: Suspension deflection for sine pavement road disturbance

5.3 Numerical Values of the Simulation Outputs

The numerical values of the simulation output for the control targets body travel, body acceleration and suspension deflection is shown in Table 3, Table 4 and Table 5 below.

Table 3: Numerical values of the body travel simulation output

No	Systems	Bump	Sine
1	NARMA-L2	0.17m	0.2m
2	Predictive	0.3m	0.4m
3	M. Reference	0.7	0.7m

Table 3 shows us the nonlinear active suspension system with NARMA-L2 controller have the minimum body travel amplitude in the bump & sine pavement road profile.

Table 4: Numerical values of the body acceleration simulation output

No	Systems	Bump	Sine
1	NARMA-L2	$1.8 \times 10^{-9} \frac{m}{s^2}$	$0.3 \times 10^{-8} \frac{m}{s^2}$
2	Predictive	$5.9 \times 10^{-9} \frac{m}{s^2}$	$0.95 \times 10^{-8} \frac{m}{s^2}$
3	M. Reference	$2.9 \times 10^{-9} \frac{m}{s^2}$	$0.5 \times 10^{-8} \frac{m}{s^2}$

Table 4 shows us the active suspension system with NARMA-L2 controller have the minimum body acceleration amplitude in the bump & sine pavement road profile.

Table 5: Numerical values of the suspension deflection simulation output

No	Systems	Bump	Sine
1	Road Profile	0.1m	0.1m
2	NARMA-L2	0.12m	0.12m
3	Predictive	0.14m	0.15m
4	M. Reference	0.27m	0.17m

Table 5 shows us the active suspension system with NARMA-L2 controller have the suspension deflection amplitude the same as the road profile input in the bump & sine pavement road profiles.

VI. CONCLUSION

In this paper, the mathematical model of the nonlinear active suspension system and the nonlinear hydraulic actuator was developed successfully. Matlab/Simulink model was designed for the NARMA-L2, model reference and predictive controllers and comparisons of this proposed controllers have been done for the control targets (suspension deflection, body acceleration and body travel) using bump and sine pavement road profiles. The simulation results prove that the nonlinear active suspension system with NARMA-L2 controller shows a good response in minimizing the body acceleration and adjusting the suspension deflection and body travel vertical amplitude in both the road disturbances input. Finally, that the nonlinear active suspension system with NARMA-L2 controller shows a good improvement in ride comfort and road handling.

VII. REFERENCES

- [1]. Mustefa Jibril et al. "Comparison of H_∞ and μ -synthesis Control Design for QuarterCar Active Suspension System using Simulink" International Journal of Scientific Research and Engineering Development, Vol. 3 Issues 1, pp. 596-607, 2020.
- [2]. Vineet Kumar et al. "Self-tuned Robust Fractional Order Fuzzy PD Controller for Uncertain and Nonlinear Active Suspension System" Journal of Neural Computing and Applications, Vol. 30, pp. 1827-1843, 2018.
- [3]. P. Senthil Kumar et al. "Adaptive Neuro Fuzzy Inference System Control of Active Suspension System with Actuator Dynamics" Journal of Vibroengineering, Vol. 20, Issue 1, pp. 541-549, 2018.
- [4]. D Wang et al. "Nonlinear Predictive Sliding Mode Control for Active Suspension System" Journal of Shock and Vibration, 2018.
- [5]. B Abdi et al. "A New Approach to Optimal Control of Nonlinear Vehicle Suspension System with Input Constraint" Journal of Vibration and Control, 2018.
- [6]. M Cui et al. "Random Modeling and Control of Nonlinear Active Suspension" Journal of Mathematical Problems in Engineering, 2017.
- [7]. SA Chen et al. "Improved Optimal Sliding Mode Control for a Nonlinear Vehicle Active Suspension System" Journal of Sound and Vibration, 2017.
- [8]. Imad A. et al. "A New Fuzzy-NARMA-L2 Controller Design for Active Suspension System" Basrah Journal for Engineering Science, Vol. 17, Issue 2 pp. 43-50, 2017.

- [9]. S Bououden et al. "A Robust Predictive Control Design for Nonlinear Active Suspension Systems" Asian Journal of Control, 2016.
- [10]. S Liu et al. "Adaptive Sliding Fault Tolerant Control for Nonlinear Uncertain Active Suspension Systems" Journal of the Franklin Institute, 2016.