

PERFORMANCE INVESTIGATION OF H_∞ CONTROLLER FOR QUARTER CAR SEMI-ACTIVE SUSPENSION SYSTEM USING SIMULINK

Mustefa Jibril^{*1}, Eliyas Alemayehu Tadese^{*2}

¹Msc, Dept. of Electrical & Computer Engineering, Dire Dawa Institute of Technology, Dire Dawa, Ethiopia

²Msc, Faculty of Electrical & Computer Engineering, Jimma Institute of Technology, Jimma, Ethiopia

ABSTRACT

This paper affords the design and improvement of a semi-active suspension system for an automobile. The main idea is to increase the semi-active suspension system damping vibration of the automobile body even as crossing the bump and sine pavement on the road. This system is modelled for 1 / 4 car system after which the entire system has been simulated using Mat lab/Simulink. It is used to physically simulate the quarter vehicle system of the automobile and have a look at the time domain response to the road disturbances. H_∞ controllers is used to govern the damping properties of the semi-active suspension system mechanically. The system is designed in contrast to the most of the available suspension systems using a third order hydraulic actuator. The proposed system is compared with H_2 optimal controller to test the performance of the system for the control targets suspension deflection, body acceleration and body travel for the bump and sine road disturbances. The simulation result of this studies reveal the efficiency of the advanced H_∞ controller for the quarter car semi-active suspension system.

Keywords - Quarter Car Semi-active Suspension System, H_∞ Controller, H_2 optimal Controller

I. INTRODUCTION

Suspension systems are labeled in to three types: Passive, Semi Active and Active suspension systems. Passive suspension system includes an electricity dissipating detail, that's the damper, and an energy-storing detail, which is the spring. Since these two factors cannot add electricity to the system this form of suspension structures are called passive.

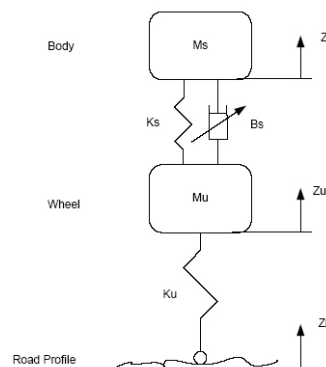
Sensors constantly display the running situations of the automobile body. Based at the alerts received via the sensors and prescribed manipulate strategy the pressure inside the actuator is modulated to obtain progressed experience and coping with. It need to be cited, that an active suspension system calls for outside power to function, and that there may be additionally a large penalty in complexity, reliability, cost and weight.

Semi-active suspension is a type of automotive suspension systems that controls the damping pressure of the shock absorber in reaction to input from the constantly varying road surfaces. It is intended to approximately implement the active suspension with a damping force adjustable shock absorber.

II. MATHEMATICAL MODELS

A. Semi-active Suspension System Mathematical Model

The design of the semi-active suspension block diagram is shown in Figure 1 below.



$$K_s (Z_u - Z_s) - B_s (\dot{Z}_u - \dot{Z}_s) = M_s \ddot{Z}_s \quad (1)$$

$$-K_s (Z_u - Z_s) - B_s (\dot{Z}_u - \dot{Z}_s) + K_u (Z_r - Z_u) = M_u \ddot{Z}_u \quad (2)$$

Where Z_s is the position of the sprung mass, Z_u is the position of the unsprung mass and Z_r is the road displacement. These equations are solved numerically using MATLAB's dynamic system simulation software, SIMULINK.

B. Hydraulic System Transfer Function

The hydraulic actuator system is a third order system with transfer function of the form:

$$\text{Hydraulic Actuator} = \frac{s + 5}{s^3 + 4s^2 + 25} \quad (3)$$

III. ROAD PROFILES

Four types of road disturbance input are used to simulate the semi-active suspension system road conditions.

A. Bump Road Disturbance:

The bump input road disturbance is shown in Figure 2.

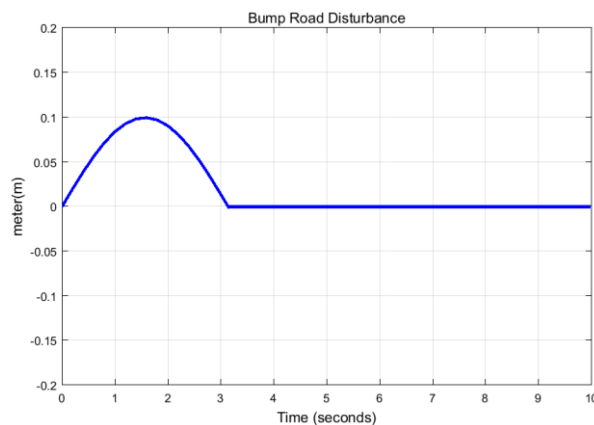


Fig. 2. Bump road disturbance

B. Sine Pavement Road Disturbance:

The sine wave input road disturbance is shown in Figure 3.

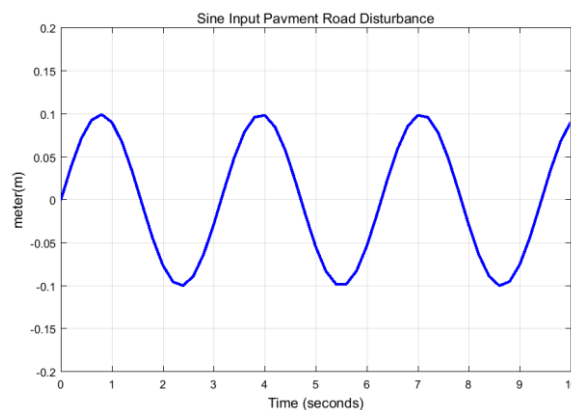


Fig. 3. Sine Input pavement road disturbance

IV. THE PROPOSED CONTROLLER DESIGN

A. H_∞ Controller Design

A control system is robust if it remains stable and achieves certain performance criteria in the presence of possible uncertainties. The robust design is to find a controller, for a given system, such that the closed-loop system is robust.

The objective is to find a stabilizing controller K to minimize the output z , in the sense of energy, over all w with energy less than or equal to 1. Thus, it is equivalent to minimizing the H_∞ -norm of the transfer function from w to z as shown in Figure 4.

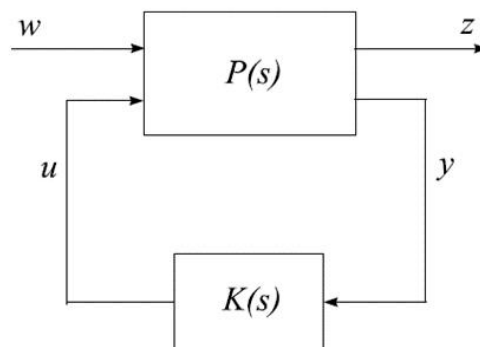


Fig. 4. The standard H_∞ configuration

B. H_2 Optimal Controller Design

There are many ways in which feedback design problems can be cast as H_2 optimization problems. It is very useful therefore to have a standard problem formulation into which any particular problem may be manipulated. Such a general formulation is afforded by the general configuration shown in Figure 5.

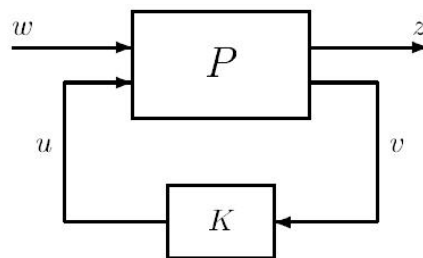


Fig. 5. General control configuration of H_2 optimal controller

V. RESULT AND DISCUSSION

The semi-active suspension system parameter is shown in Table 1

Table 1: Parameters of quarter vehicle model

Model parameters	symbol	symbol Values
Vehicle body mass	ms	390 Kg
Wheel assembly mass	mu	63 Kg
Suspension stiffness	ks	10,000 N/m
Tire stiffness	ku	110,000 N/m
Suspension damping	Bs	1890 N-s/m

A. Simulation of the Proposed Controllers

The semi-active suspension system with H infinity and H2 optimal controllers are simulated using Matlab/Simulink for the control targets suspension deflection, body acceleration and body travel using bump and sine pavement road disturbances.

B. Simulation of a Bump Road Disturbance:

The Simulink model for a bump input road disturbance is shown in Figure 6.

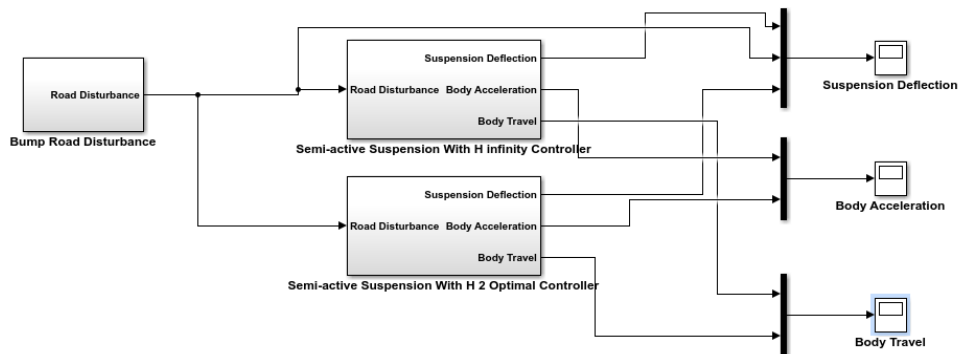


Fig. 6. Simulink model of the proposed controllers for bump road profile

The H infinity and H2 optimal controller subsystem is shown in Figure 7 and Figure 8 respectively.

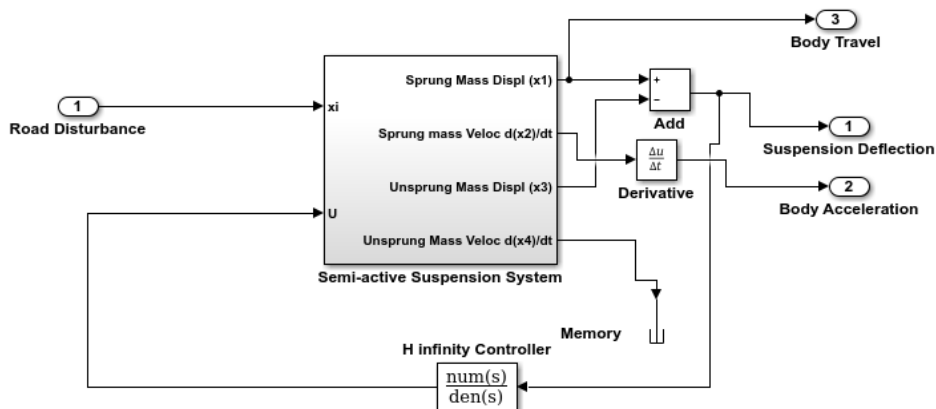


Fig. 7. H infinity subsystem

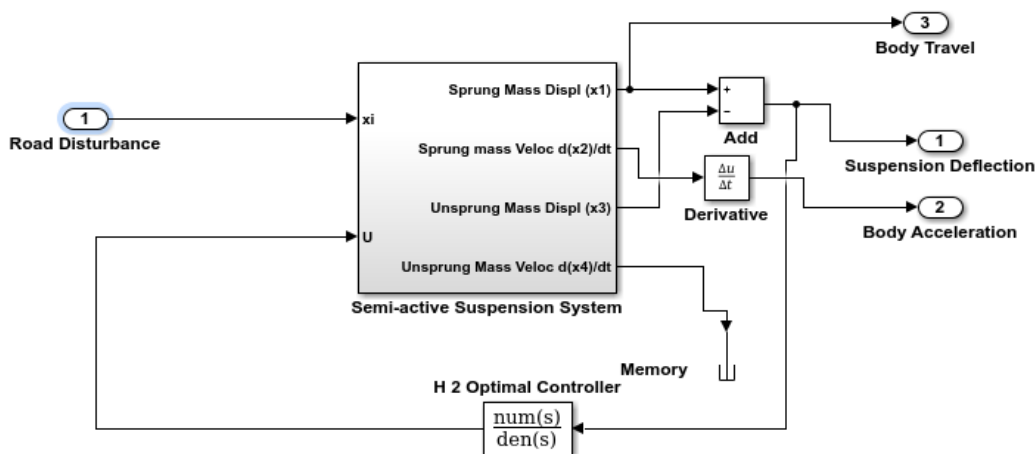


Fig. 8. H2 optimal subsystem

The simulation results for the control targets suspension deflection, body acceleration and body travel using bumproad disturbances is shown in Figure 9, Figure 10 and Figure 11 respectively.

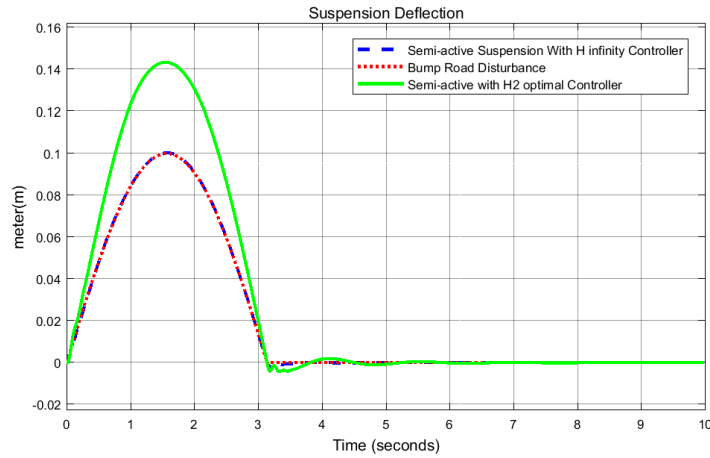


Fig. 9. Suspension deflection for bump input road disturbance

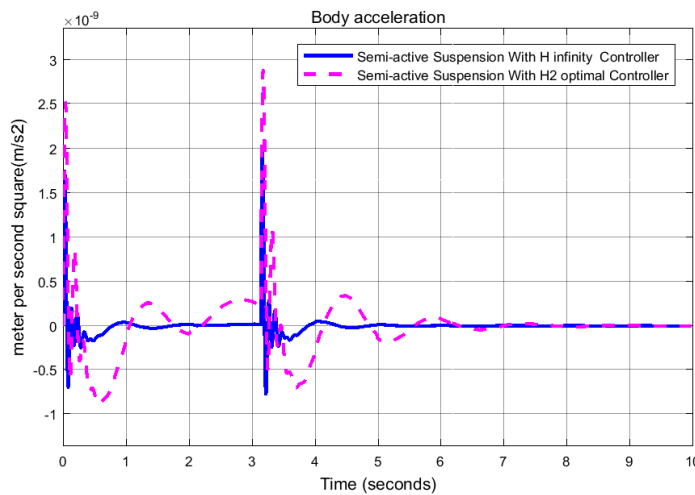


Fig. 10. Body acceleration for bump input road disturbance

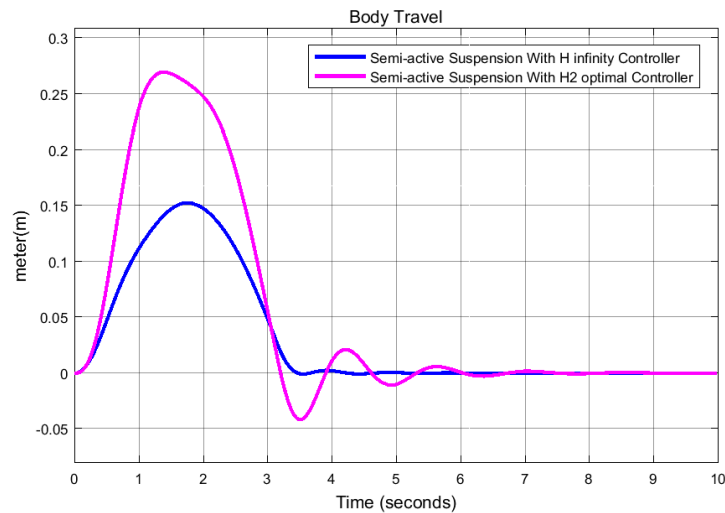


Fig. 11. Body travel for bump input road disturbance

C. Simulation of a Sine Input Pavement Road Disturbance:

The Simulink model for a sine pavement input road disturbance is shown in Figure 12.

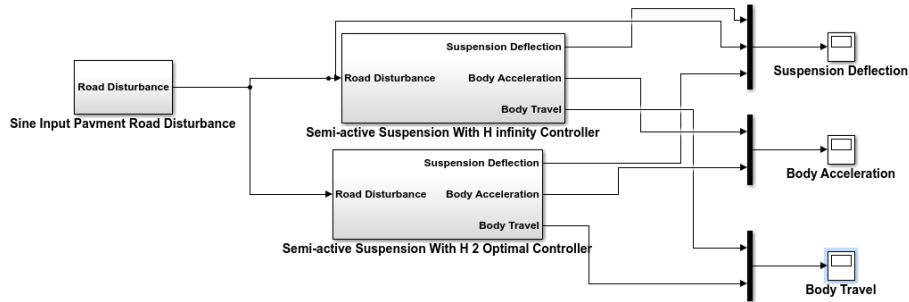


Fig. 12. Simulink model for a Sine input pavement road disturbance

The simulation results for the control targets suspension deflection, body acceleration and body travel using sine pavement road disturbances is shown in Figure 13, Figure 14 and Figure 15 respectively.

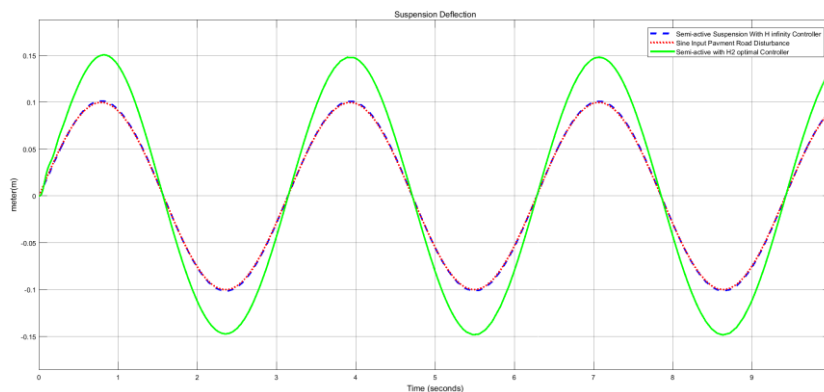


Fig. 13. Suspension deflection for Sine input pavement road disturbance

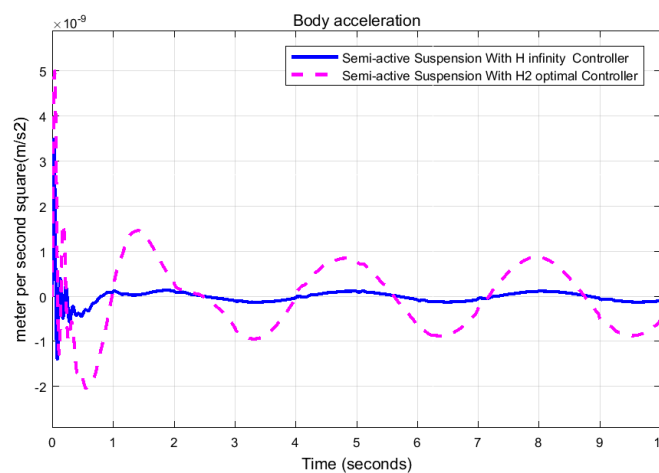


Fig. 14. Body acceleration for Sine input pavement road disturbance

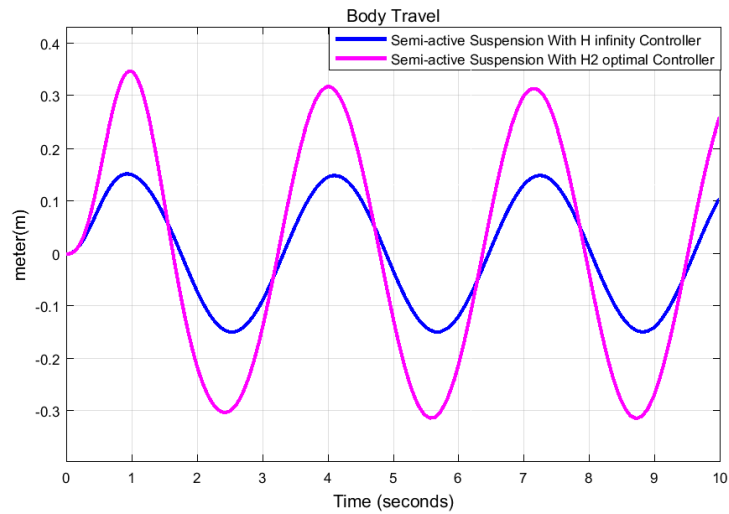


Fig. 15. Body travel for Sine input pavement road disturbance

D. Numerical Comparison for Bump Road Disturbance:

The amplitude of the semi-active suspension system with H infinity and H2 optimal controllers for bump road disturbance is shown in Table 2.

Table 2: Amplitude value for bump road disturbance

Parameters	H 2	H ∞
Suspension Deflection	0.144 m	0.1 m
Body Acceleration	$2.8 \times 10^{-9} \frac{m}{s^2}$	$2 \times 10^{-9} \frac{m}{s^2}$
Body Travel	0.27m	0.15 m

E. Comparison for Sine Pavement Road Disturbance:

The amplitude of the semi-active suspension system with H infinity and H2 optimal controllers for sine pavement road disturbance is shown in Table 3.

Table 3: Amplitude value for sine pavement road disturbance

Parameters	H 2	H ∞
Suspension Deflection	0.15 m	0.1 m
Body Acceleration	$5 \times 10^{-9} \frac{m}{s^2}$	$3.5 \times 10^{-9} \frac{m}{s^2}$
Body Travel	0.27m	5

VI. CONCLUSION

The H infinity controller successfully controlled the semi active suspension. When compared to the semi-active suspension system with H2 optimal controller, semi-active suspension system with H infinity controller substantially decreased the sprung mass displacement and therefore increased ride comfort of the automobile. Finally the simulation results prove the effectiveness of the semi-active suspension system with H infinity controller.

VII. ACKNOWLEDGMENTS

First and foremost, I would like to express my deepest thanks and gratitude to Dr.Parashante and Mr.Tesfabirhan for their invaluable advices, encouragement, continuous guidance and caring support during my journal preparation. Last but not least, I am always indebted to my brother, Taha Jibril, my sister, Nejat Jibril and my family members for their endless support and love throughout these years. They gave me additional motivation and determination during my journal preparation.

VIII. REFERENCES

- [1]. H Ye et al. "Comparative Study of Semi-active Suspension Based on LQR Control and H2/H infinity Multi Objective Control" Chinese Automation Congress (CAC), 2019.
- [2]. A Purohit et al. " A Review of Semi-active Control Algorithm for Magnetorheological (MR) Dampers" International Journal of Research and Analytical Reviews, 2018.
- [3]. F Ma et al. "Optimization Design of Semi-active Controller for In-wheel Motors Suspension" Journal of Vibroengineering, 2018.
- [4]. AS Emam et al. "Active Vibration Control of Automotive Suspension System using Fuzzy Logic Algorithm" International Journal of Vehicle Structure & Systems (IJVSS), 2017.
- [5]. JaffarSeyyedEsmacili et al. "Load-Dependent LPV/H2 Output-feedback Control of Semi-active Suspension Systems Equipped with MR Damper" International Journal of Vehicle Design, Vol. 68, Issue 1-3, 2017.
- [6]. Y Song et al "Low Cost Adaptive Fault Tolerant Approach for Semi-active Suspension Control of High Speed Trains" IEEE Transactions on Industrial Electronics, 2016.
- [7]. Yilun Liu et al. " Mixed Skyhook and Power Driven Damper: A New Low Jerk Semi-active Suspension Control Based on Power Flow Analysis" Journal of Dynamic Systems, Measurement and Control, 2016.
- [8]. G Reina et al. " Active Vibration Absorber for Automotive Suspensions: A Theoretical Study" Journal of Heavy Systems, 2016.
- [9]. Q Guo et al. " Hybrid Control Strategy of Vehicle Semi-active Suspension Based on the Genetic Algorithm Optimization" Journal of Metallurgical & Mining Industry, 2015.
- [10]. P Li et al."Investigation on Semi-active Control of Vehicle Suspension Using Adaptive Inerter" In Proceeding of the 31st Chinese Control Conference, 2014.