

Halting problem undecidability and infinitely nested simulation (V2)

The halting theorem counter-examples present infinitely nested simulation (non-halting) behavior to every simulating halt decider. This paper has been rewritten to be more compelling and more concise.

The pathological self-reference of the conventional halting problem proof counter-examples is overcome. The halt status of these examples is correctly determined. A simulating halt decider remains in pure simulation mode until after it determines that its input will never reach its final state. This eliminates the conventional feedback loop where the behavior of the halt decider effects the behavior of its input.

The x86utm operating system was created so that the halting problem could be examined concretely in the high level language of C. H is a function written in C that analyzes the x86 machine language execution trace of other functions written in C. H recognizes simple cases of infinite recursion and infinite loops. The conventional halting problem proof counter-example template is shown to simply be an input that does not halt.

H simulates its input with an x86 emulator until it determines that its input would never halt. As soon as H recognizes that its input would never halt it stops simulating this input and returns 0. For inputs that do halt H acts exactly as if it was an x86 emulator and simply runs its input to completion and then returns 1.

In theoretical computer science the random-access stored-program (RASP) machine model is an abstract machine used for the purposes of algorithm development and algorithm complexity theory. ...The RASP is closest of all the abstract models to the common notion of computer.

https://en.wikipedia.org/wiki/Random-access_stored-program_machine

The C/x86 model of computation is known to be Turing equivalent on the basis that it maps to the RASP model for all computations having all of the memory that they need. As long as an C/x86 function is a pure function of its inputs the C/x86 model of computation can be relied upon as a much higher level of abstraction of the behavior of actual Turing machines.

This criteria merely relies on the fact that the UTM simulation of a machine description of a machine is computationally equivalent to the direct execution of this same machine:

halt decider (Olcott 2021)

A halt decider accepts or rejects inputs on the basis of the actual behavior specified by these inputs. Whenever the direct execution or pure simulation of an input would never reach its final state this input is correctly decided as not halting.

In computability theory, the halting problem is the problem of determining, from a description of an arbitrary computer program and an input, whether the program will finish running, or continue to run forever. https://en.wikipedia.org/wiki/Halting_problem

Because H only acts as a pure simulator of its input until after its halt status decision has been made it has no behavior that can possibly effect the behavior of its input.

Pathological Input to a halt decider is stipulated to mean any input that was defined to do the opposite of whatever its corresponding halt decider decides as Sipser describes:

Now we construct a new Turing machine D with H as a subroutine.
This new TM calls H to determine what M does when the input to M is its own description $\langle M \rangle$. Once D has determined this information, it does the opposite. (Sipser:1997:165)

When D is invoked with input $\langle D \rangle$ we have pathological self-reference when D calls H with $\langle D \rangle$ and does the opposite of whatever H returns.

Does D halt on its own machine description $\langle D \rangle$?

This question can only be correctly answered after the pathology has been removed. When a halt decider only acts as a pure simulator of its input until after its halt status decision is made there is no feedback loop of back channel communication between the halt decider and its input that can prevent a correct halt status decision. In this case the halt decider is only examining the behavior of the input and has no behavior that can effect the behavior of this input thus can ignore its own behavior.

The standard pseudo-code halting problem template "proved" that the halting problem could never be solved on the basis that neither value of true (halting) nor false (not halting) could be correctly returned from the halt decider to the confounding input.

```
// Simplified Linz(1990) H and Strachey(1965) P
void P(u32 x)
{
    if (H(x, x))
        HERE: goto HERE;
}
```

This problem is overcome on the basis that a simulating halt decider would abort the simulation of its input before ever returning any value to this input. It aborts the simulation of its input on the basis that its input specifies what is essentially infinite recursion (infinitely nested simulation) to any simulating halt decider.

Every input to a simulating halt decider that only stops running when its simulation is aborted unequivocally specifies a computation that never halts. When input to a simulating halt decider cannot possibly reach its final state then we know that this input never halts.

A simulating halt decider H divides all of its input into:

- (1) Those inputs that never halt unless H aborts their simulation (never halting).
H aborts its simulation of these inputs and returns 0 for never halting.
- (2) Those inputs that halt while H remains a pure simulator (halting).
H waits for its simulation of this input to complete and then returns 1 halting.

Simulating partial halt decider H correctly decides that P(P) never halts (V1)

```
#include <stdint.h>
typedef void (*ptr)();

int H(ptr x, ptr y)
{
    x(y); // direct execution of P(P)
    return 1;
}

// Minimal essence of Linz(1990) A
// and Strachey(1965) P
void P(ptr x)
{
    H(x, x);
}

int main(void)
{
    H(P, P);
}
```

Proof that $H(P,P)=0$ is correct for every possible H at machine address 00001a7e that simulates or executes the precise byte sequence shown below:

```
_PC)
[00001a5e] (01) 55          push ebp
[00001a5f] (02) 8bec        mov ebp,esp
[00001a61] (03) 8b4508      mov eax,[ebp+08]
[00001a64] (01) 50          push eax // push P
[00001a65] (03) 8b4d08      mov ecx,[ebp+08]
[00001a68] (01) 51          push ecx // push P
[00001a69] (05) e810000000  call 00001a7e // call H
[00001a6e] (03) 83c408      add esp,+08
[00001a71] (01) 5d          pop ebp
[00001a72] (01) c3          ret
Size in bytes:(0021) [00001a72]
```

P is defined as the above precise byte sequence.
The x86 language is the entire inference basis.

For every possible H defined at machine address 00001a7e that has input (P,P) when the input to H(P,P) is executed or simulated this input is either infinitely recursive or aborted at some point. In no case does the input ever reach its final state of 00001a72.

Now that we have verified that the input to H(P,P) never halts we know that the correct return value for any correct halt decider H(P,P) must be 0.

To determine the correct halt status of the input to H(P,P) H merely needs to simulate its input one instruction at a time until H sees P call itself with the same parameters that it was called with. When H sees this H correctly returns 0 for not halting.

Simulating partial halt decider H correctly decides that P(P) never halts (V2)

```
// Simplified Linz H (Linz:1990:319)
// Strachey(1965) CPL translated to C
void P(u32 x)
{
    if (H(x, x))
        HERE: goto HERE;
}

int main()
{
    output("Input_Halts = ", H((u32)P, (u32)P));
}
```

```
_P()
[0000c36] (01) 55          push ebp
[0000c37] (02) 8bec        mov ebp,esp
[0000c39] (03) 8b4508     mov eax,[ebp+08] // 2nd Param
[0000c3c] (01) 50          push eax
[0000c3d] (03) 8b4d08     mov ecx,[ebp+08] // 1st Param
[0000c40] (01) 51          push ecx
[0000c41] (05) e820fdffff  call 00000966 // call H
[0000c46] (03) 83c408     add esp,+08
[0000c49] (02) 85c0       test eax,eax
[0000c4b] (02) 7402       jz 0000c4f
[0000c4d] (02) ebfe       jmp 0000c4d
[0000c4f] (01) 5d          pop ebp
[0000c50] (01) c3          ret
Size in bytes:(0027) [0000c50]
```

```
_main()
[0000c56] (01) 55          push ebp
[0000c57] (02) 8bec        mov ebp,esp
[0000c59] (05) 6836c0000  push 0000c36 // push P
[0000c5e] (05) 6836c0000  push 0000c36 // push P
[0000c63] (05) e8fefcffff  call 00000966 // call H(P,P)
[0000c68] (03) 83c408     add esp,+08
[0000c6b] (01) 50          push eax
[0000c6c] (05) 685703000  push 00000357
[0000c71] (05) e810f7ffff  call 00000386
[0000c76] (03) 83c408     add esp,+08
[0000c79] (02) 33c0       xor eax,eax
[0000c7b] (01) 5d          pop ebp
[0000c7c] (01) c3          ret
Size in bytes:(0039) [0000c7c]
```

machine address	stack address	stack data	machine code	assembly language
[0000c56]	[0010172a]	[00000000]	55	push ebp
[0000c57]	[0010172a]	[00000000]	8bec	mov ebp,esp
[0000c59]	[00101726]	[0000c36]	6836c0000	push 0000c36 // push P
[0000c5e]	[00101722]	[0000c36]	6836c0000	push 0000c36 // push P
[0000c63]	[0010171e]	[0000c68]	e8fefcffff	call 00000966 // call H(P,P)

Begin Local Halt Decider Simulation at Machine Address:c36

```
[0000c36] [002117ca] [002117ce] 55          push ebp
[0000c37] [002117ca] [002117ce] 8bec       mov ebp,esp
[0000c39] [002117ca] [002117ce] 8b4508     mov eax,[ebp+08]
[0000c3c] [002117c6] [0000c36] 50          push eax    // push P
[0000c3d] [002117c6] [0000c36] 8b4d08     mov ecx,[ebp+08]
[0000c40] [002117c2] [0000c36] 51          push ecx    // push P
[0000c41] [002117be] [0000c46] e820fdffff call 0000966 // call H(P,P)
```

Local Halt Decider: Infinite Recursion Detected Simulation Stopped

Same criteria as V1, H sees that it is called a second time with the same input.

```
[0000c68] [0010172a] [00000000] 83c408     add esp,+08
[0000c6b] [00101726] [00000000] 50          push eax
[0000c6c] [00101722] [00000357] 6857030000 push 0000357
[0000c71] [00101722] [00000357] e810f7ffff call 0000386
Input_Halts = 0
[0000c76] [0010172a] [00000000] 83c408     add esp,+08
[0000c79] [0010172a] [00000000] 33c0       xor eax,eax
[0000c7b] [0010172e] [00100000] 5d          pop ebp
[0000c7c] [00101732] [00000068] c3         ret
```

The direct execution of P(P) halts (V3)

The execution trace of the x86 emulation of P(P) by simulating halt decider H conclusively proves that P cannot possibly ever reach its final state of 0xc3f. This provides complete proof that that the input to H never halts thus $H(P,P)=0$ is correct.

```
// Simplified Linz H (Linz:1990:319)
// Strachey(1965) CPL translated to C
```

```
void P(u32 x)
{
    if (H(x, x))
        HERE: goto HERE;
}
```

```
int main()
{
    P((u32)P);
}
```

```
_P()
[0000c25] (01) 55          push ebp
[0000c26] (02) 8bec         mov ebp,esp
[0000c28] (03) 8b4508      mov eax,[ebp+08]
[0000c2b] (01) 50          push eax // 2nd Param
[0000c2c] (03) 8b4d08      mov ecx,[ebp+08]
[0000c2f] (01) 51          push ecx // 1st Param
[0000c30] (05) e820fdffff  call 00000955 // call H
[0000c35] (03) 83c408      add esp,+08
[0000c38] (02) 85c0         test eax,eax
[0000c3a] (02) 7402         jz 0000c3e
[0000c3c] (02) ebfe         jmp 0000c3c
[0000c3e] (01) 5d          pop ebp
[0000c3f] (01) c3          ret
Size in bytes:(0027) [0000c3f]
```

```
_main()
[0000c45] (01) 55          push ebp
[0000c46] (02) 8bec         mov ebp,esp
[0000c48] (05) 68250c0000 push 0000c25 // push P
[0000c4d] (05) e8d3fffff call 0000c25 // call P(P)
[0000c52] (03) 83c404      add esp,+04
[0000c55] (02) 33c0         xor eax,eax
[0000c57] (01) 5d          pop ebp
[0000c58] (01) c3          ret
Size in bytes:(0020) [0000c58]
```

machine address	stack address	stack data	machine code	assembly language
[0000c45]	[001016d6]	[00000000]	55	push ebp
[0000c46]	[001016d6]	[00000000]	8bec	mov ebp,esp
[0000c48]	[001016d2]	[0000c25]	68250c0000	push 0000c25 // push P
[0000c4d]	[001016ce]	[0000c52]	e8d3fffff	call 0000c25 // call P(P)
[0000c25]	[001016ca]	[001016d6]	55	push ebp // P begins
[0000c26]	[001016ca]	[001016d6]	8bec	mov ebp,esp
[0000c28]	[001016ca]	[001016d6]	8b4508	mov eax,[ebp+08]
[0000c2b]	[001016c6]	[0000c25]	50	push eax // push P
[0000c2c]	[001016c6]	[0000c25]	8b4d08	mov ecx,[ebp+08]
[0000c2f]	[001016c2]	[0000c25]	51	push ecx // push P
[0000c30]	[001016be]	[0000c35]	e820fdffff	call 00000955 // call H(P,P)

```

Begin Local Halt Decider Simulation at Machine Address:c25
[0000c25][00211776][0021177a] 55      push ebp      // P begins
[0000c26][00211776][0021177a] 8bec      mov ebp,esp
[0000c28][00211776][0021177a] 8b4508    mov eax,[ebp+08]
[0000c2b][00211772][0000c25] 50      push eax      // push P
[0000c2c][00211772][0000c25] 8b4d08    mov ecx,[ebp+08]
[0000c2f][0021176e][0000c25] 51      push ecx      // push P
[0000c30][0021176a][0000c35] e820fdffff call 00000955 // call H(P,P)
Local Halt Decider: Infinite Recursion Detected Simulation Stopped

```

Same criteria as V2, H sees that it is called a second time with the same input.

```

[0000c35][001016ca][001016d6] 83c408    add esp,+08
[0000c38][001016ca][001016d6] 85c0      test eax,eax
[0000c3a][001016ca][001016d6] 7402      jz 0000c3e
[0000c3e][001016ce][0000c52] 5d      pop ebp
[0000c3f][001016d2][0000c25] c3      ret
[0000c52][001016d6][00000000] 83c404    add esp,+04
[0000c55][001016d6][00000000] 33c0      xor eax,eax
[0000c57][001016da][00100000] 5d      pop ebp
[0000c58][001016de][00000084] c3      ret
Number_of_User_Instructions(34)
Number of Instructions Executed(23729)

```

P(P) is conditional only on whatever H(P,P) returns. H(P,P) is conditional only on whatever the simulation or execution of its input actually does. These are two entirely different conditions that result in entirely different behavior.

Peter Linz \hat{H} applied to the Turing machine description of itself: $\langle \hat{H} \rangle$

The following simplifies the syntax for the definition of the Linz Turing machine \hat{H} , it is now a single machine with a single start state. A simulating halt decider is embedded at $\hat{H}.qx$. It has been annotated so that it only shows \hat{H} applied to $\langle \hat{H} \rangle$, converting the variables to constants.

$\hat{H}.q_0 \langle \hat{H} \rangle \vdash^* \hat{H}.qx \langle \hat{H} \rangle \langle \hat{H} \rangle \vdash^* \hat{H}.q_y \infty$

If the UTM simulation of the input to $\hat{H}.qx \langle \hat{H} \rangle$ applied to $\langle \hat{H} \rangle$ reaches its own final state.

$\hat{H}.q_0 \langle \hat{H} \rangle \vdash^* \hat{H}.qx \langle \hat{H} \rangle \langle \hat{H} \rangle \vdash^* \hat{H}.q_n$

If the pure simulation of the input to $\hat{H}.qx \langle \hat{H} \rangle \langle \hat{H} \rangle$ would never reach its final state (whether or not this simulation is aborted) then it is necessarily true that $\hat{H}.qx$ transitions to $\hat{H}.q_n$ correctly.

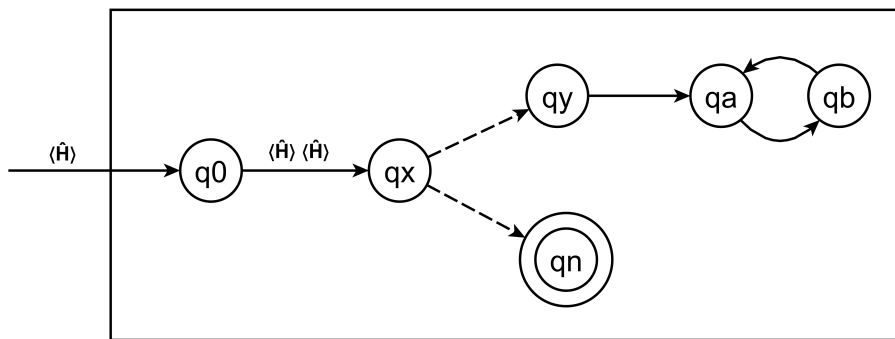


Figure 12.3 Turing Machine \hat{H} applied to $\langle \hat{H} \rangle$

$\hat{H}.q_0$ copies its input $\langle \hat{H}_0 \rangle$ to $\langle \hat{H}_1 \rangle$ then $\hat{H}.qx$ simulates this input \hat{H}_0 with its input $\langle \hat{H}_1 \rangle$

$\hat{H}_0.q_0$ copies its input $\langle \hat{H}_1 \rangle$ to $\langle \hat{H}_2 \rangle$ then $\hat{H}_0.qx$ simulates this input \hat{H}_1 with its input $\langle \hat{H}_2 \rangle$

$\hat{H}_1.q_0$ copies its input $\langle \hat{H}_2 \rangle$ to $\langle \hat{H}_3 \rangle$ then $\hat{H}_1.qx$ simulates this input \hat{H}_2 with its input $\langle \hat{H}_3 \rangle$

$\hat{H}_2.q_0$ copies its input $\langle \hat{H}_3 \rangle$ to $\langle \hat{H}_4 \rangle$ then $\hat{H}_2.qx$ simulates this input \hat{H}_3 with its input $\langle \hat{H}_4 \rangle$...

If the simulating halt decider at $\hat{H}.qx$ never aborts its simulation of its input this input never halts. If $\hat{H}.qx$ aborts its simulation of its input this input never reaches its final state and thus never halts. In all cases for every simulating halt decider at $\hat{H}.qx$ its input never halts.

When the pure simulation of the actual input to $\hat{H}.qx \langle \hat{H} \rangle \langle \hat{H} \rangle$ never reaches the final state of this input then $\hat{H}.qx$ transitions to $\vdash^* \hat{H}.q_n$ is necessarily correct no matter what $\hat{H} \langle \hat{H} \rangle$ does. A halt decider is only accountable for correctly deciding the halt status of its actual input.

When the original Linz H is applied to $\langle \hat{H} \rangle \langle \hat{H} \rangle$ it sees that its input transitions to $\hat{H}.q_n$. This provides the basis for H to transition to its final state of $H.q_y$.

When $\hat{H}.qx$ is applied to $\langle \hat{H} \rangle \langle \hat{H} \rangle$ it sees that none of the recursive simulations of its input ever halt it aborts the simulation of its input and correctly transitions to its final state of $\hat{H}.q_n$.

Copyright 2016-2021 PL Olcott

Strachey, C 1965. An impossible program The Computer Journal, Volume 7, Issue 4, January 1965, Page 313, <https://doi.org/10.1093/comjnl/7.4.313>

Linz, Peter 1990. An Introduction to Formal Languages and Automata. Lexington/Toronto: D. C. Heath and Company. (318-320)

Sipser, Michael 1997. Introduction to the Theory of Computation. Boston: PWS Publishing Company (165-167)

Glossary of Terms

computation that halts

a computation is said to halt whenever it enters a final state. (Linz:1990:234)

computer science decider

a decider is a machine that accepts or rejects inputs.

<https://cs.stackexchange.com/questions/84433/what-is-decider>

halt decider

A halt decider accepts or rejects inputs on the basis of the actual behavior specified by these inputs. Whenever the direct execution or pure simulation of an input would never reach its final state this input is correctly decided as not halting.

Intuitively, a decider should be a Turing machine that given an input, halts and either accepts or rejects, relaying its answer in one of many equivalent ways, such as halting at an ACCEPT or REJECT state, or leaving its answer on the output tape.

<https://cs.stackexchange.com/questions/84433/what-is-decider>

Eventually, the whole process may terminate, which we achieve in a Turing machine by putting it into a halt state. A Turing machine is said to halt whenever it reaches a configuration for which δ is not defined; ... so the Turing machine will halt whenever it enters a final state. (Linz:1990:234)