

## Halting problem undecidability and infinitely nested simulation

When halting is defined as any computation that halts without ever having its simulation aborted then it can be understood that partial halt decider H correctly decides not halting on the simplified version of the Linz  $\hat{H}$ . When this simplified concrete example is fully understood then the exact same reasoning can be applied to the actual Linz H correctly deciding not halting on its input.

The x86utm operating system was created so that the halting problem could be examined concretely in the high level language of C. x86utm UTM tape elements are 32-bit unsigned integers. H examines the behavior of the x86 emulation of its input. As soon as a non-halting behavior pattern is matched H aborts the simulation of its input and decides not halting.

```
int Simulate(u32 P, u32 I) {
    ((void*)(u32))P(I);
    return 1;
}

// Simplified Linz  $\hat{H}$  (Linz:1990:319)
void H_Hat(u32 P) {
    // Linz H as a simulating partial halt decider
    u32 Input_Halts = H(P, P);
    if (Input_Halts)
        HERE: goto HERE;
}

void H_Hat2(u32 P) {
    u32 Input_Halts = Simulate(P, P);
    if (Input_Halts)
        HERE: goto HERE;
}

int main() {
    H_Hat2((u32)H_Hat2);
    H_Hat((u32)H_Hat);
}
```

Anyone that knows C programming very well will know that line 1 of main() won't halt and line 2 of main() will only halt if simulating partial halt decider H() stops simulating H\_Hat(). A simulating halt decider that never stops simulating its input is simply a simulator on this input.

When we know that the UTM simulation of TM Description P on input I would never halt we know that the execution of TM P(I) would never halt.

On this basis we know that any computation that must have its simulation aborted to prevent its otherwise infinite execution is correctly rejected as non-halting.

## Peter Linz $\hat{H}$ applied to the Turing machine description of itself: $[\hat{H}]$

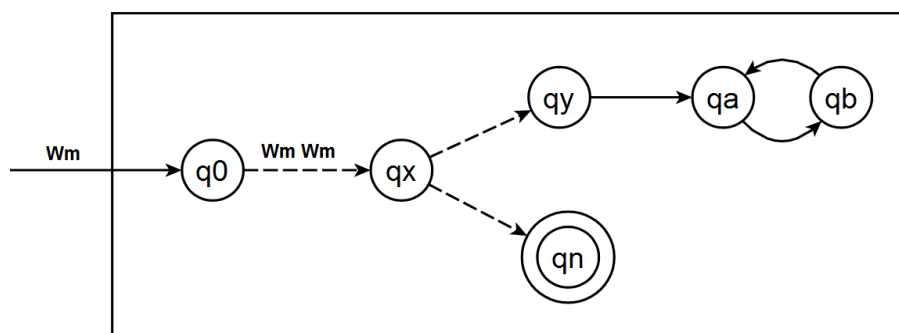


Figure 12.3 Turing Machine  $\hat{H}$

$\hat{H}.q_0 \ wM \vdash^* \hat{H}.qx \ wM \ wM \vdash^* \hat{H}.qy \ \infty$   
 $\hat{H}.q_0 \ wM \vdash^* \hat{H}.qx \ wM \ wM \vdash^* \hat{H}.qn$

The above is adapted from (Linz:1990:319).

It shows that Turing machine  $\hat{H}$  copies its input at ( $q_0$ ) and begins executing an embedded copy of the original halt decider with this input at ( $qx$ ).

The ( $qy$ ) state indicates that the halt decider has determined that its input would halt. The ( $qn$ ) state indicates the input would not halt. The appended ( $qa$ ) and ( $qb$ ) states cause  $\hat{H}$  to infinitely loop if the halt decider decides that its input would halt.

### The above definition specifies this execution trace:

It can be understood from the above specification that when the embedded halt decider at  $\hat{H}.qx$  bases its halting decision on simulating its input, and it has  $([\hat{H}], [\hat{H}])$  as its input that:

- $\hat{H}.q_0$  would copy its input and then  $\hat{H}.qx$  would simulate its input with this copy then
- $\hat{H}.q_0$  would copy its input and then  $\hat{H}.qx$  would simulate its input with this copy then
- $\hat{H}.q_0$  would copy its input and then  $\hat{H}.qx$  would simulate its input with this copy...

unless and until the halt decider at  $\hat{H}.qx$  stops simulating its input.

When halting is defined as any computation that halts without ever having its simulation aborted by a simulating halt decider then we can see that the halt decider at state  $\hat{H}.qx$  stops simulating its input and correctly transitions to its final  $\hat{H}.qn$  state deciding not halting on its input in the computation:  $\hat{H}([\hat{H}])$ .

When halting is defined as any computation that halts without ever having its simulation aborted then the fact that  $\hat{H}([\hat{H}])$  stops running does not indicate that it is a halting computation. The simulating halt decider would also force an infinite loop to stop running.

**Linz, Peter 1990.** An Introduction to Formal Languages and Automata. Lexington/Toronto: D. C. Heath and Company.

Copyright 2021 PL Olcott

# Appendix (not needed to understand the proof)

```
int Factorial(int n) {
    Output("Factorial(n)",n);
    if (n > 1)
        return n * Factorial(n - 1);
    else
        return 1;
}

void Infinite_Loop() {
    HERE: goto HERE;
}

int Infinite_Recursion(u32 N) {
    u32 M = Infinite_Recursion(N);
    return M;
}

int Simulate(u32 P, u32 I) {
    ((int*)(int))P(I);
    return 1;
}

void H_Hat2(u32 P) {
    u32 Input_Halts = Simulate(P, P);
    if (Input_Halts)
        HERE: goto HERE;
}

void H_Hat(u32 P) {
    u32 Input_Halts = H(P, P);
    if (Input_Halts)
        HERE: goto HERE;
}

int main() {
    u32 Input_Would_Halt1 = H((u32)Factorial, 3);
    Output("Input_Would_Halt1 = ", Input_Would_Halt1);

    u32 Input_Would_Halt2 = H((u32)Infinite_Loop, (u32)Infinite_Loop);
    Output("Input_Would_Halt2 = ", Input_Would_Halt2);

    u32 Input_Would_Halt3 = H((u32)Infinite_Recursion, 3);
    Output("Input_Would_Halt3 = ", Input_Would_Halt3);

    u32 Input_Would_Halt4 = H((u32)H_Hat2, (u32)H_Hat2);
    Output("Input_Would_Halt4 = ", Input_Would_Halt4);

    u32 Input_Would_Halt5 = Simulate((u32)H_Hat, (u32)H_Hat);
    Output("Input_Would_Halt5 = ", Input_Would_Halt5);

    u32 Input_Would_Halt6 = H((u32)H_Hat, (u32)H_Hat);
    Output("Input_Would_Halt6 = ", Input_Would_Halt6);

    H_Hat((u32)H_Hat);
}
```

```

_Factorial()
[00000ac8] (01) 55          push ebp
[00000ac9] (02) 8bec        mov ebp,esp
[00000acb] (03) 8b4508     mov eax,[ebp+08]
[00000ace] (01) 50          push eax
[00000acf] (05) 681b030000 push 0000031b
[00000ad4] (05) e8fff8ffff  call 000003d8
[00000ad9] (03) 83c408     add esp,+08
[00000adc] (04) 837d0801   cmp dword [ebp+08],+01
[00000ae0] (02) 7e17      jng 00000af9
[00000ae2] (03) 8b4d08     mov ecx,[ebp+08]
[00000ae5] (03) 83e901     sub ecx,+01
[00000ae8] (01) 51          push ecx
[00000ae9] (05) e8daffffff  call 00000ac8
[00000aee] (03) 83c404     add esp,+04
[00000af1] (04) 0faf4508   imul eax,[ebp+08]
[00000af5] (02) eb07      jmp 00000afe
[00000af7] (02) eb05      jmp 00000afe
[00000af9] (05) b801000000 mov eax,00000001
[00000afe] (01) 5d          pop ebp
[00000aff] (01) c3          ret
Size in bytes:(0056) [00000aff]

```

```

_Infinite_Loop()
[00000b08] (01) 55          push ebp
[00000b09] (02) 8bec        mov ebp,esp
[00000b0b] (02) ebfe      jmp 00000b0b
[00000b0d] (01) 5d          pop ebp
[00000b0e] (01) c3          ret
Size in bytes:(0007) [00000b0e]

```

```

_Infinite_Recursion()
[00000b18] (01) 55          push ebp
[00000b19] (02) 8bec        mov ebp,esp
[00000b1b] (01) 51          push ecx
[00000b1c] (03) 8b4508     mov eax,[ebp+08]
[00000b1f] (01) 50          push eax
[00000b20] (05) e8f3ffff  call 00000b18
[00000b25] (03) 83c404     add esp,+04
[00000b28] (03) 8945fc     mov [ebp-04],eax
[00000b2b] (03) 8b45fc     mov eax,[ebp-04]
[00000b2e] (02) 8be5      mov esp,ebp
[00000b30] (01) 5d          pop ebp
[00000b31] (01) c3          ret
Size in bytes:(0026) [00000b31]

```

```

_Simulate()
[00000b38] (01) 55          push ebp
[00000b39] (02) 8bec        mov ebp,esp
[00000b3b] (03) 8b450c     mov eax,[ebp+0c]
[00000b3e] (01) 50          push eax
[00000b3f] (03) ff5508     call dword [ebp+08]
[00000b42] (03) 83c404     add esp,+04
[00000b45] (05) b801000000 mov eax,00000001
[00000b4a] (01) 5d          pop ebp
[00000b4b] (01) c3          ret
Size in bytes:(0020) [00000b4b]

```

```

_Hat2()
[0000b58] (01) 55          push ebp
[0000b59] (02) 8bec         mov ebp,esp
[0000b5b] (01) 51          push ecx
[0000b5c] (03) 8b4508      mov eax,[ebp+08]
[0000b5f] (01) 50          push eax
[0000b60] (03) 8b4d08      mov ecx,[ebp+08]
[0000b63] (01) 51          push ecx
[0000b64] (05) e8cfffffff  call 0000b38
[0000b69] (03) 83c408      add esp,+08
[0000b6c] (03) 8945fc      mov [ebp-04],eax
[0000b6f] (04) 837dfc00    cmp dword [ebp-04],+00
[0000b73] (02) 7402        jz 0000b77
[0000b75] (02) ebfe        jmp 0000b75
[0000b77] (02) 8be5        mov esp,ebp
[0000b79] (01) 5d          pop ebp
[0000b7a] (01) c3          ret
Size in bytes:(0035) [0000b7a]

```

```

_Hat()
[0000b88] (01) 55          push ebp
[0000b89] (02) 8bec         mov ebp,esp
[0000b8b] (01) 51          push ecx
[0000b8c] (03) 8b4508      mov eax,[ebp+08]
[0000b8f] (01) 50          push eax
[0000b90] (03) 8b4d08      mov ecx,[ebp+08]
[0000b93] (01) 51          push ecx
[0000b94] (05) e81ffeffff  call 00009b8
[0000b99] (03) 83c408      add esp,+08
[0000b9c] (03) 8945fc      mov [ebp-04],eax
[0000b9f] (04) 837dfc00    cmp dword [ebp-04],+00
[0000ba3] (02) 7402        jz 0000ba7
[0000ba5] (02) ebfe        jmp 0000ba5
[0000ba7] (02) 8be5        mov esp,ebp
[0000ba9] (01) 5d          pop ebp
[0000baa] (01) c3          ret
Size in bytes:(0035) [0000baa]

```

```

_main()
[0000bb8] (01) 55          push ebp
[0000bb9] (02) 8bec         mov ebp,esp
[0000bbb] (03) 83ec18      sub esp,+18
[0000bbe] (02) 6a03        push +03
[0000bc0] (05) 68c80a0000  push 0000ac8
[0000bc5] (05) e8eefdffff  call 00009b8
[0000bca] (03) 83c408      add esp,+08
[0000bcd] (03) 8945fc      mov [ebp-04],eax
[0000bd0] (03) 8b45fc      mov eax,[ebp-04]
[0000bd3] (01) 50          push eax
[0000bd4] (05) 682b030000  push 000032b
[0000bd9] (05) e8faf7ffff  call 00003d8
[0000bde] (03) 83c408      add esp,+08
[0000be1] (05) 68080b0000  push 0000b08
[0000be6] (05) 68080b0000  push 0000b08
[0000beb] (05) e8c8fdffff  call 00009b8
[0000bf0] (03) 83c408      add esp,+08
[0000bf3] (03) 8945f8      mov [ebp-08],eax
[0000bf6] (03) 8b4df8      mov ecx,[ebp-08]
[0000bf9] (01) 51          push ecx
[0000bfa] (05) 6843030000  push 0000343
[0000bff] (05) e8d4f7ffff  call 00003d8
[0000c04] (03) 83c408      add esp,+08
[0000c07] (02) 6a03        push +03
[0000c09] (05) 68180b0000  push 0000b18
[0000c0e] (05) e8a5fdffff  call 00009b8
[0000c13] (03) 83c408      add esp,+08

```

```

[0000c16] (03) 8945f4      mov [ebp-0c],eax
[0000c19] (03) 8b55f4      mov edx,[ebp-0c]
[0000c1c] (01) 52          push edx
[0000c1d] (05) 685b030000 push 0000035b
[0000c22] (05) e8b1f7ffff call 000003d8
[0000c27] (03) 83c408      add esp,+08
[0000c2a] (05) 68580b0000 push 00000b58
[0000c2f] (05) 68580b0000 push 00000b58
[0000c34] (05) e87ffdffff call 000009b8
[0000c39] (03) 83c408      add esp,+08
[0000c3c] (03) 8945f0      mov [ebp-10],eax
[0000c3f] (03) 8b45f0      mov eax,[ebp-10]
[0000c42] (01) 50          push eax
[0000c43] (05) 6873030000 push 00000373
[0000c48] (05) e88bf7ffff call 000003d8
[0000c4d] (03) 83c408      add esp,+08
[0000c50] (05) 68880b0000 push 00000b88
[0000c55] (05) 68880b0000 push 00000b88
[0000c5a] (05) e8d9feffff call 00000b38
[0000c5f] (03) 83c408      add esp,+08
[0000c62] (03) 8945ec      mov [ebp-14],eax
[0000c65] (03) 8b4dec      mov ecx,[ebp-14]
[0000c68] (01) 51          push ecx
[0000c69] (05) 688b030000 push 0000038b
[0000c6e] (05) e865f7ffff call 000003d8
[0000c73] (03) 83c408      add esp,+08
[0000c76] (05) 68880b0000 push 00000b88
[0000c7b] (05) 68880b0000 push 00000b88
[0000c80] (05) e833fdffff call 000009b8
[0000c85] (03) 83c408      add esp,+08
[0000c88] (03) 8945e8      mov [ebp-18],eax
[0000c8b] (03) 8b55e8      mov edx,[ebp-18]
[0000c8e] (01) 52          push edx
[0000c8f] (05) 68a3030000 push 000003a3
[0000c94] (05) e83ff7ffff call 000003d8
[0000c99] (03) 83c408      add esp,+08
[0000c9c] (05) 68880b0000 push 00000b88
[0000ca1] (05) e8e2feffff call 00000b88
[0000ca6] (03) 83c404      add esp,+04
[0000ca9] (02) 33c0      xor eax,eax
[0000cab] (02) 8be5      mov esp,ebp
[0000cad] (01) 5d          pop ebp
[0000cae] (01) c3          ret

```

Size in bytes:(0247) [0000cae]

```

=====
... [0000bb8] [001017c6] [00000000] (01) 55          push ebp
... [0000bb9] [001017c6] [00000000] (02) 8bec      mov ebp,esp
... [0000bbb] [001017ae] [90909090] (03) 83ec18    sub esp,+18
... [0000bbe] [001017aa] [00000003] (02) 6a03      push +03
... [0000bc0] [001017a6] [00000ac8] (05) 68c80a0000 push 00000ac8
... [0000bc5] [001017a2] [00000bca] (05) e8eefdffff call 000009b8
Begin Local Halt Decider Simulation at Machine Address:ac8
... [0000ac8] [00211866] [0021186a] (01) 55          push ebp
... [0000ac9] [00211866] [0021186a] (02) 8bec      mov ebp,esp
... [0000acb] [00211866] [0021186a] (03) 8b4508    mov eax,[ebp+08]
... [0000ace] [00211862] [00000003] (01) 50          push eax
... [0000acf] [0021185e] [0000031b] (05) 681b030000 push 0000031b
--- [0000ad4] [0021185e] [0000031b] (05) e8fff8ffff call 000003d8
Factorial(n)3
... [0000ad9] [00211866] [0021186a] (03) 83c408    add esp,+08
... [0000adc] [00211866] [0021186a] (04) 837d0801  cmp dword [ebp+08],+01
... [0000ae0] [00211866] [0021186a] (02) 7e17      jng 0000af9
... [0000ae2] [00211866] [0021186a] (03) 8b4d08    mov ecx,[ebp+08]
... [0000ae5] [00211866] [0021186a] (03) 83e901    sub ecx,+01
... [0000ae8] [00211862] [00000002] (01) 51          push ecx

```

```

... [0000ae9] [0021185e] [0000aee] (05) e8daffffff call 0000ac8
... [0000ac8] [0021185a] [00211866] (01) 55 push ebp
... [0000ac9] [0021185a] [00211866] (02) 8bec mov ebp,esp
... [0000acb] [0021185a] [00211866] (03) 8b4508 mov eax,[ebp+08]
... [0000ace] [00211856] [00000002] (01) 50 push eax
... [0000acf] [00211852] [0000031b] (05) 681b030000 push 0000031b
--- [0000ad4] [00211852] [0000031b] (05) e8fff8ffff call 000003d8
Factorial(n)2
... [0000ad9] [0021185a] [00211866] (03) 83c408 add esp,+08
... [0000adc] [0021185a] [00211866] (04) 837d0801 cmp dword [ebp+08],+01
... [0000ae0] [0021185a] [00211866] (02) 7e17 jng 0000af9
... [0000ae2] [0021185a] [00211866] (03) 8b4d08 mov ecx,[ebp+08]
... [0000ae5] [0021185a] [00211866] (03) 83e901 sub ecx,+01
... [0000ae8] [00211856] [00000001] (01) 51 push ecx
... [0000ae9] [00211852] [0000aee] (05) e8daffffff call 0000ac8
... [0000ac8] [0021184e] [0021185a] (01) 55 push ebp
... [0000ac9] [0021184e] [0021185a] (02) 8bec mov ebp,esp
... [0000acb] [0021184e] [0021185a] (03) 8b4508 mov eax,[ebp+08]
... [0000ace] [0021184a] [00000001] (01) 50 push eax
... [0000acf] [00211846] [0000031b] (05) 681b030000 push 0000031b
--- [0000ad4] [00211846] [0000031b] (05) e8fff8ffff call 000003d8
Factorial(n)1
... [0000ad9] [0021184e] [0021185a] (03) 83c408 add esp,+08
... [0000adc] [0021184e] [0021185a] (04) 837d0801 cmp dword [ebp+08],+01
... [0000ae0] [0021184e] [0021185a] (02) 7e17 jng 0000af9
... [0000af9] [0021184e] [0021185a] (05) b801000000 mov eax,00000001
... [0000afe] [00211852] [0000aee] (01) 5d pop ebp
... [0000aff] [00211856] [00000001] (01) c3 ret
... [0000bca] [001017ae] [90909090] (03) 83c408 add esp,+08
... [0000bcd] [001017ae] [90909090] (03) 8945fc mov [ebp-04],eax
... [0000bd0] [001017ae] [90909090] (03) 8b45fc mov eax,[ebp-04]
... [0000bd3] [001017aa] [00000001] (01) 50 push eax
... [0000bd4] [001017a6] [0000032b] (05) 682b030000 push 0000032b
--- [0000bd9] [001017a6] [0000032b] (05) e8faf7ffff call 000003d8
Input_would_Halt1 = 1
... [0000bde] [001017ae] [90909090] (03) 83c408 add esp,+08
... [0000be1] [001017aa] [00000b08] (05) 68080b0000 push 00000b08
... [0000be6] [001017a6] [00000b08] (05) 68080b0000 push 00000b08
... [0000beb] [001017a2] [00000bf0] (05) e8c8fdffff call 000009b8
Begin Local Halt Decider Simulation at Machine Address:b08
... [0000b08] [0025c28e] [0025c292] (01) 55 push ebp
... [0000b09] [0025c28e] [0025c292] (02) 8bec mov ebp,esp
... [0000b0b] [0025c28e] [0025c292] (02) ebfe jmp 0000b0b
... [0000b0b] [0025c28e] [0025c292] (02) ebfe jmp 0000b0b
Local Halt Decider: Infinite Loop Detected Simulation Stopped
... [0000bf0] [001017ae] [90909090] (03) 83c408 add esp,+08
... [0000bf3] [001017ae] [90909090] (03) 8945f8 mov [ebp-08],eax
... [0000bf6] [001017ae] [90909090] (03) 8b4df8 mov ecx,[ebp-08]
... [0000bf9] [001017aa] [00000000] (01) 51 push ecx
... [0000bfa] [001017a6] [00000343] (05) 6843030000 push 00000343
--- [0000bff] [001017a6] [00000343] (05) e8d4f7ffff call 000003d8
Input_would_Halt2 = 0
... [0000c04] [001017ae] [90909090] (03) 83c408 add esp,+08
... [0000c07] [001017aa] [00000003] (02) 6a03 push +03
... [0000c09] [001017a6] [00000b18] (05) 68180b0000 push 00000b18
... [0000c0e] [001017a2] [00000c13] (05) e8a5fdffff call 000009b8
Begin Local Halt Decider Simulation at Machine Address:b18
... [0000b18] [002a6cb6] [002a6cba] (01) 55 push ebp
... [0000b19] [002a6cb6] [002a6cba] (02) 8bec mov ebp,esp
... [0000b1b] [002a6cb2] [00296c86] (01) 51 push ecx
... [0000b1c] [002a6cb2] [00296c86] (03) 8b4508 mov eax,[ebp+08]
... [0000b1f] [002a6cae] [00000003] (01) 50 push eax
... [0000b20] [002a6caa] [00000b25] (05) e8f3ffff call 00000b18
... [0000b18] [002a6ca6] [002a6cb6] (01) 55 push ebp
... [0000b19] [002a6ca6] [002a6cb6] (02) 8bec mov ebp,esp
... [0000b1b] [002a6ca2] [00296c86] (01) 51 push ecx

```

```

... [0000b1c] [002a6ca2] [00296c86] (03) 8b4508      mov eax,[ebp+08]
... [0000b1f] [002a6c9e] [00000003] (01) 50          push eax
... [0000b20] [002a6c9a] [0000b25] (05) e8f3ffffff  call 0000b18
Local Halt Decoder: Infinite Recursion Detected Simulation Stopped
... [0000c13] [001017ae] [90909090] (03) 83c408      add esp,+08
... [0000c16] [001017ae] [90909090] (03) 8945f4      mov [ebp-0c],eax
... [0000c19] [001017ae] [90909090] (03) 8b55f4      mov edx,[ebp-0c]
... [0000c1c] [001017aa] [00000000] (01) 52          push edx
... [0000c1d] [001017a6] [0000035b] (05) 685b030000 push 0000035b
--- [0000c22] [001017a6] [0000035b] (05) e8b1f7ffff  call 000003d8
Input_would_Halt3 = 0
... [0000c27] [001017ae] [90909090] (03) 83c408      add esp,+08
... [0000c2a] [001017aa] [0000b58] (05) 68580b0000 push 0000b58
... [0000c2f] [001017a6] [0000b58] (05) 68580b0000 push 0000b58
... [0000c34] [001017a2] [0000c39] (05) e87ffdffff  call 000009b8
Begin Local Halt Decoder Simulation at Machine Address:b58
... [0000b58] [002f16de] [002f16e2] (01) 55          push ebp
... [0000b59] [002f16de] [002f16e2] (02) 8bec       mov ebp,esp
... [0000b5b] [002f16da] [002e16ae] (01) 51          push ecx
... [0000b5c] [002f16da] [002e16ae] (03) 8b4508     mov eax,[ebp+08]
... [0000b5f] [002f16d6] [0000b58] (01) 50          push eax
... [0000b60] [002f16d6] [0000b58] (03) 8b4d08     mov ecx,[ebp+08]
... [0000b63] [002f16d2] [0000b58] (01) 51          push ecx
... [0000b64] [002f16ce] [0000b69] (05) e8cfffffff  call 0000b38
... [0000b38] [002f16ca] [002f16de] (01) 55          push ebp
... [0000b39] [002f16ca] [002f16de] (02) 8bec       mov ebp,esp
... [0000b3b] [002f16ca] [002f16de] (03) 8b450c     mov eax,[ebp+0c]
... [0000b3e] [002f16c6] [0000b58] (01) 50          push eax
Calling:_H_Hat2()
Decode_Control_Flow_Instruction([00000008][002f16ca][0000b58])
... [0000b3f] [002f16c2] [0000b42] (03) ff5508     call dword [ebp+08]
Decode_Control_Flow_Instruction([00000008][0010174e][0010179a])
... [0000b58] [002f16be] [002f16ca] (01) 55          push ebp
... [0000b59] [002f16be] [002f16ca] (02) 8bec       mov ebp,esp
... [0000b5b] [002f16ba] [0000b58] (01) 51          push ecx
... [0000b5c] [002f16ba] [0000b58] (03) 8b4508     mov eax,[ebp+08]
... [0000b5f] [002f16b6] [0000b58] (01) 50          push eax
... [0000b60] [002f16b6] [0000b58] (03) 8b4d08     mov ecx,[ebp+08]
... [0000b63] [002f16b2] [0000b58] (01) 51          push ecx
... [0000b64] [002f16ae] [0000b69] (05) e8cfffffff  call 0000b38
Local Halt Decoder: Infinite Recursion Detected Simulation Stopped
... [0000c39] [001017ae] [90909090] (03) 83c408      add esp,+08
... [0000c3c] [001017ae] [90909090] (03) 8945f0      mov [ebp-10],eax
... [0000c3f] [001017ae] [90909090] (03) 8b45f0      mov eax,[ebp-10]
... [0000c42] [001017aa] [00000000] (01) 50          push eax
... [0000c43] [001017a6] [00000373] (05) 6873030000 push 00000373
--- [0000c48] [001017a6] [00000373] (05) e88bf7ffff  call 000003d8
Input_would_Halt4 = 0
... [0000c4d] [001017ae] [90909090] (03) 83c408      add esp,+08
... [0000c50] [001017aa] [0000b88] (05) 68880b0000 push 0000b88
... [0000c55] [001017a6] [0000b88] (05) 68880b0000 push 0000b88
... [0000c5a] [001017a2] [0000c5f] (05) e8d9feffff  call 0000b38
... [0000b38] [0010179e] [001017c6] (01) 55          push ebp
... [0000b39] [0010179e] [001017c6] (02) 8bec       mov ebp,esp
... [0000b3b] [0010179e] [001017c6] (03) 8b450c     mov eax,[ebp+0c]
... [0000b3e] [0010179a] [0000b88] (01) 50          push eax
Calling:_H_Hat()
... [0000b3f] [00101796] [0000b42] (03) ff5508     call dword [ebp+08]
Decode_Control_Flow_Instruction([00000008][0010179e][0000b88])
... [0000b88] [00101792] [0010179e] (01) 55          push ebp
... [0000b89] [00101792] [0010179e] (02) 8bec       mov ebp,esp
... [0000b8b] [0010178e] [000009c7] (01) 51          push ecx
... [0000b8c] [0010178e] [000009c7] (03) 8b4508     mov eax,[ebp+08]
... [0000b8f] [0010178a] [0000b88] (01) 50          push eax
... [0000b90] [0010178a] [0000b88] (03) 8b4d08     mov ecx,[ebp+08]
... [0000b93] [00101786] [0000b88] (01) 51          push ecx

```



```

... [0000b94] [00101782] [0000b99] (05) e81ffeffff call 000009b8
Begin Local Halt Decider Simulation at Machine Address:b88
... [0000b88] [0033c106] [0033c10a] (01) 55 push ebp
... [0000b89] [0033c106] [0033c10a] (02) 8bec mov ebp,esp
... [0000b8b] [0033c102] [0032c0d6] (01) 51 push ecx
... [0000b8c] [0033c102] [0032c0d6] (03) 8b4508 mov eax,[ebp+08]
... [0000b8f] [0033c0fe] [0000b88] (01) 50 push eax
... [0000b90] [0033c0fe] [0000b88] (03) 8b4d08 mov ecx,[ebp+08]
... [0000b93] [0033c0fa] [0000b88] (01) 51 push ecx
... [0000b94] [0033c0f6] [0000b99] (05) e81ffeffff call 000009b8
... [0000b88] [00386b2e] [00386b32] (01) 55 push ebp
... [0000b89] [00386b2e] [00386b32] (02) 8bec mov ebp,esp
... [0000b8b] [00386b2a] [00376afe] (01) 51 push ecx
... [0000b8c] [00386b2a] [00376afe] (03) 8b4508 mov eax,[ebp+08]
... [0000b8f] [00386b26] [0000b88] (01) 50 push eax
... [0000b90] [00386b26] [0000b88] (03) 8b4d08 mov ecx,[ebp+08]
... [0000b93] [00386b22] [0000b88] (01) 51 push ecx
... [0000b94] [00386b1e] [0000b99] (05) e81ffeffff call 000009b8
Local Halt Decider: Infinite Recursion Detected Simulation Stopped
... [0000b99] [0010178e] [000009c7] (03) 83c408 add esp,+08
... [0000b9c] [0010178e] [00000000] (03) 8945fc mov [ebp-04],eax
... [0000b9f] [0010178e] [00000000] (04) 837dfc00 cmp dword [ebp-04],+00
... [0000ba3] [0010178e] [00000000] (02) 7402 jz 00000ba7
... [0000ba7] [00101792] [0010179e] (02) 8be5 mov esp,ebp
... [0000ba9] [00101796] [0000b42] (01) 5d pop ebp
... [0000baa] [0010179a] [0000b88] (01) c3 ret
... [0000b42] [0010179e] [001017c6] (03) 83c404 add esp,+04
... [0000b45] [0010179e] [001017c6] (05) b801000000 mov eax,00000001
... [0000b4a] [001017a2] [0000c5f] (01) 5d pop ebp
... [0000b4b] [001017a6] [0000b88] (01) c3 ret
... [0000c5f] [001017ae] [90909090] (03) 83c408 add esp,+08
... [0000c62] [001017ae] [90909090] (03) 8945ec mov [ebp-14],eax
... [0000c65] [001017ae] [90909090] (03) 8b4dec mov ecx,[ebp-14]
... [0000c68] [001017aa] [00000001] (01) 51 push ecx
... [0000c69] [001017a6] [0000038b] (05) 688b030000 push 0000038b
--- [0000c6e] [001017a6] [0000038b] (05) e865f7ffff call 000003d8
Input_would_Halt5 = 1
... [0000c73] [001017ae] [90909090] (03) 83c408 add esp,+08
... [0000c76] [001017aa] [0000b88] (05) 68880b0000 push 0000b88
... [0000c7b] [001017a6] [0000b88] (05) 68880b0000 push 0000b88
... [0000c80] [001017a2] [0000c85] (05) e833fdffff call 000009b8
Begin Local Halt Decider Simulation at Machine Address:b88
... [0000b88] [00396bce] [00396bd2] (01) 55 push ebp
... [0000b89] [00396bce] [00396bd2] (02) 8bec mov ebp,esp
... [0000b8b] [00396bca] [00386b9e] (01) 51 push ecx
... [0000b8c] [00396bca] [00386b9e] (03) 8b4508 mov eax,[ebp+08]
... [0000b8f] [00396bc6] [0000b88] (01) 50 push eax
... [0000b90] [00396bc6] [0000b88] (03) 8b4d08 mov ecx,[ebp+08]
... [0000b93] [00396bc2] [0000b88] (01) 51 push ecx
... [0000b94] [00396bbe] [0000b99] (05) e81ffeffff call 000009b8
... [0000b88] [003e15f6] [003e15fa] (01) 55 push ebp
... [0000b89] [003e15f6] [003e15fa] (02) 8bec mov ebp,esp
... [0000b8b] [003e15f2] [003d15c6] (01) 51 push ecx
... [0000b8c] [003e15f2] [003d15c6] (03) 8b4508 mov eax,[ebp+08]
... [0000b8f] [003e15ee] [0000b88] (01) 50 push eax
... [0000b90] [003e15ee] [0000b88] (03) 8b4d08 mov ecx,[ebp+08]
... [0000b93] [003e15ea] [0000b88] (01) 51 push ecx
... [0000b94] [003e15e6] [0000b99] (05) e81ffeffff call 000009b8
Local Halt Decider: Infinite Recursion Detected Simulation Stopped
... [0000c85] [001017ae] [90909090] (03) 83c408 add esp,+08
... [0000c88] [001017ae] [00000000] (03) 8945e8 mov [ebp-18],eax
... [0000c8b] [001017ae] [00000000] (03) 8b55e8 mov edx,[ebp-18]
... [0000c8e] [001017aa] [00000000] (01) 52 push edx
... [0000c8f] [001017a6] [000003a3] (05) 68a3030000 push 000003a3
--- [0000c94] [001017a6] [000003a3] (05) e83ff7ffff call 000003d8
Input_would_Halt6 = 0

```

```

... [0000c99] [001017ae] [00000000] (03) 83c408      add esp,+08
... [0000c9c] [001017aa] [00000b88] (05) 68880b0000  push 0000b88
... [0000ca1] [001017a6] [00000ca6] (05) e8e2feffff  call 0000b88
... [0000b88] [001017a2] [001017c6] (01) 55          push ebp
... [0000b89] [001017a2] [001017c6] (02) 8bec       mov ebp,esp
... [0000b8b] [0010179e] [000009c7] (01) 51          push ecx
... [0000b8c] [0010179e] [000009c7] (03) 8b4508     mov eax,[ebp+08]
... [0000b8f] [0010179a] [00000b88] (01) 50          push eax
... [0000b90] [0010179a] [00000b88] (03) 8b4d08     mov ecx,[ebp+08]
... [0000b93] [00101796] [00000b88] (01) 51          push ecx
... [0000b94] [00101792] [00000b99] (05) e81ffeffff  call 000009b8
Begin Local Halt Decider Simulation at Machine Address:b88
... [0000b88] [003f1696] [003f169a] (01) 55          push ebp
... [0000b89] [003f1696] [003f169a] (02) 8bec       mov ebp,esp
... [0000b8b] [003f1692] [003e1666] (01) 51          push ecx
... [0000b8c] [003f1692] [003e1666] (03) 8b4508     mov eax,[ebp+08]
... [0000b8f] [003f168e] [00000b88] (01) 50          push eax
... [0000b90] [003f168e] [00000b88] (03) 8b4d08     mov ecx,[ebp+08]
... [0000b93] [003f168a] [00000b88] (01) 51          push ecx
... [0000b94] [003f1686] [00000b99] (05) e81ffeffff  call 000009b8
... [0000b88] [0043c0be] [0043c0c2] (01) 55          push ebp
... [0000b89] [0043c0be] [0043c0c2] (02) 8bec       mov ebp,esp
... [0000b8b] [0043c0ba] [0042c08e] (01) 51          push ecx
... [0000b8c] [0043c0ba] [0042c08e] (03) 8b4508     mov eax,[ebp+08]
... [0000b8f] [0043c0b6] [00000b88] (01) 50          push eax
... [0000b90] [0043c0b6] [00000b88] (03) 8b4d08     mov ecx,[ebp+08]
... [0000b93] [0043c0b2] [00000b88] (01) 51          push ecx
... [0000b94] [0043c0ae] [00000b99] (05) e81ffeffff  call 000009b8
Local Halt Decider: Infinite Recursion Detected Simulation Stopped
... [0000b99] [0010179e] [000009c7] (03) 83c408      add esp,+08
... [0000b9c] [0010179e] [00000000] (03) 8945fc      mov [ebp-04],eax
... [0000b9f] [0010179e] [00000000] (04) 837dfc00    cmp dword [ebp-04],+00
... [0000ba3] [0010179e] [00000000] (02) 7402        jz 0000ba7
... [0000ba7] [001017a2] [001017c6] (02) 8be5        mov esp,ebp
... [0000ba9] [001017a6] [00000ca6] (01) 5d          pop ebp
... [0000baa] [001017aa] [00000b88] (01) c3          ret
... [0000ca6] [001017ae] [00000000] (03) 83c404      add esp,+04
... [0000ca9] [001017ae] [00000000] (02) 33c0        xor eax,eax
... [0000cab] [001017c6] [00000000] (02) 8be5        mov esp,ebp
... [0000cad] [001017ca] [00100000] (01) 5d          pop ebp
... [0000cae] [001017ce] [0000039c] (01) c3          ret
Number_of_User_Instructions(232)
Number of Instructions Executed(87815)

```